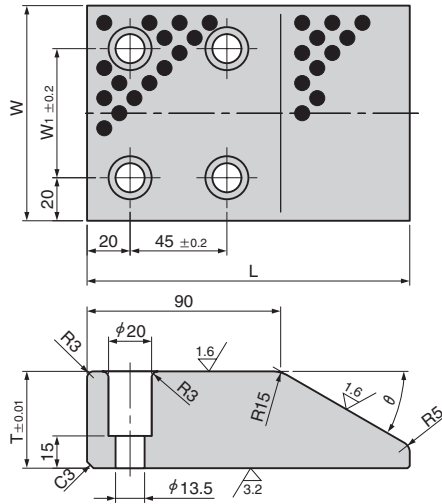
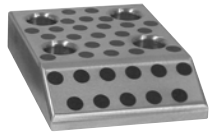


Cam Stroke Plate

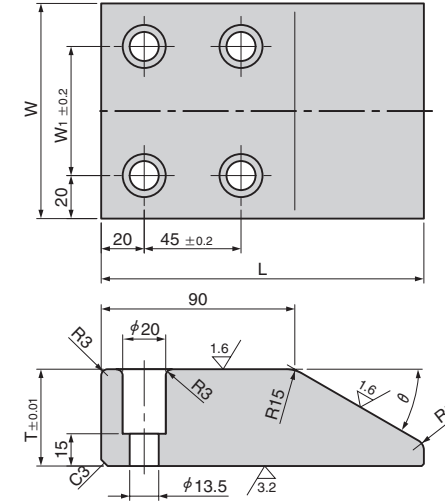
EUROPEAN STANDARD

VTK-80 □
VTK-81 □
(Bronze with Graphite/
VDI3357 Type)



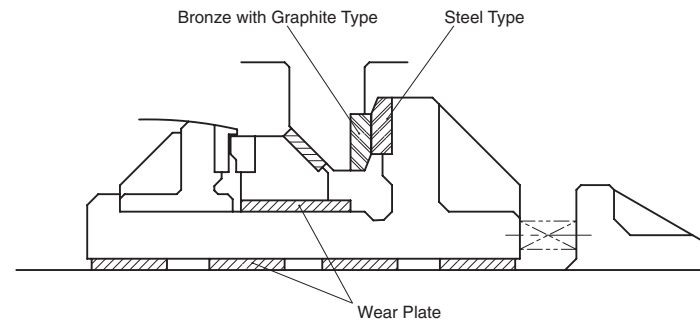
Material : Bronze with Graphite
(SO#50 SP2)

VTK-84 □
VTK-85 □
(Steel/VDI3357 Type)



Material : Steel
Vacuum Hardened HRC60~
(SKD11 HRC60 or more)

Catalog No.		W	W ₁	L	T	θ	Recommended mounting bolt
Bronze with Graphite Type	Steel Type						
VTK-801	VTK-841	100	60	170	45	20	
VTK-802	VTK-842	125	85				
VTK-803	VTK-843	150	110				
VTK-811	VTK-851	100	60	150	45	30	M12x40 (DIN, EN ISO4762)
VTK-812	VTK-852	125	85	170	60		
VTK-813	VTK-853	150	110	170	60		
VTK-815	VTK-855	150	110	150	45		
VTK-816	VTK-856			170	60		



Order

Catalog No.

VTK-813