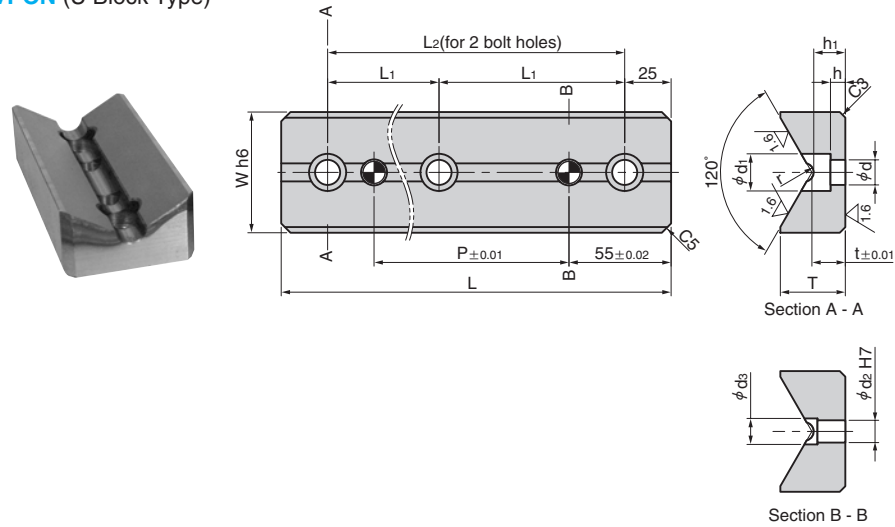
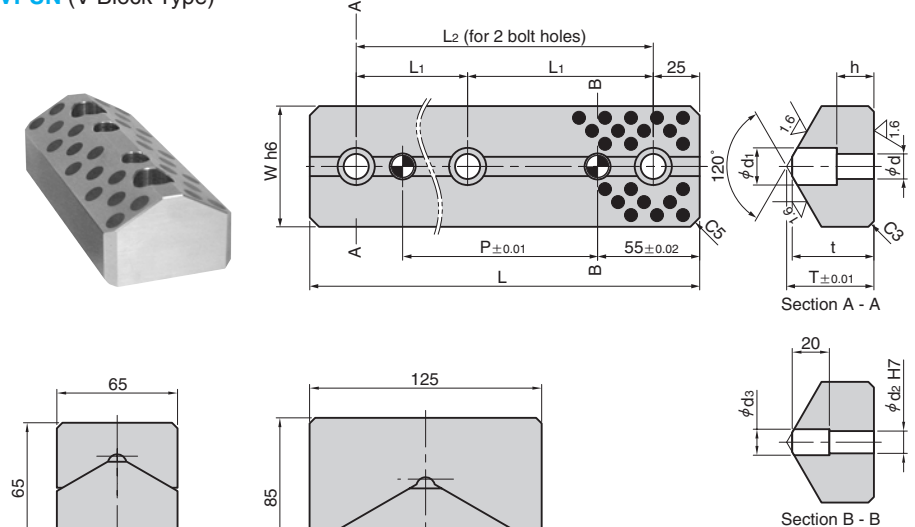


VPON (U Block Type)



Material : Steel
1.1730-H(Heat treatment)
(S45C surface hardening HRC55 or more)

VPUN (V Block Type)



Material : Bronze with Graphite
(SO#50 SP2)

| Catalog No. | W | L | L ₁ | L ₂ | P | T | t | r | h | h ₁ | d | d ₁ | d ₂ | d ₃ |
|-------------|-----|-----|----------------|----------------|-----|----|----|----|----|----------------|------|----------------|----------------|----------------|
| VPON-701 | 65 | 150 | — | 100 | 45 | 35 | 18 | 7 | 8 | 17 | 13.5 | 20 | 12 | 14 |
| VPON-702 | | 200 | — | 150 | 95 | | | | | | | | | |
| VPON-703 | | 250 | 100 | — | 145 | | | | | | | | | |
| VPON-704 | | 300 | 125 | — | 195 | | | | | | | | | |
| VPON-711 | 125 | 150 | — | 100 | 45 | 60 | 28 | 10 | 15 | 32 | 17.5 | 26 | 16 | 18 |
| VPON-712 | | 200 | — | 150 | 95 | | | | | | | | | |
| VPON-713 | | 250 | 100 | — | 145 | | | | | | | | | |
| VPON-714 | | 300 | 125 | — | 195 | | | | | | | | | |

■ Mounting bolt · Dowel pin

| W | Mounting bolt | Dowel pin |
|-----|---------------|-----------|
| 65 | M12X25 | φ12X32 |
| 125 | M16X50 | φ16X60 |

* Mounting bolt (DIN EN ISO4762)

* Dowel pin (DIN EN ISO8733/8735)

Order Catalog No.
VPON-711

| Catalog No. | W | L | L ₁ | L ₂ | P | T | t | h | d | d ₁ | d ₂ | d ₃ |
|-------------|-----|-----|----------------|----------------|-----|----|----|----|------|----------------|----------------|----------------|
| VPUN-751 | 65 | 150 | — | 100 | 45 | 47 | 44 | 20 | 13.5 | 20 | 12 | 14 |
| VPUN-752 | | 200 | — | 150 | 95 | | | | | | | |
| VPUN-753 | | 250 | 100 | — | 145 | | | | | | | |
| VPUN-754 | | 300 | 125 | — | 195 | | | | | | | |
| VPUN-761 | 125 | 150 | — | 100 | 45 | 57 | 47 | 15 | 17.5 | 26 | 16 | 18 |
| VPUN-762 | | 200 | — | 150 | 95 | | | | | | | |
| VPUN-763 | | 250 | 100 | — | 145 | | | | | | | |
| VPUN-764 | | 300 | 125 | — | 195 | | | | | | | |

■ Mounting bolt · Dowel pin

| W | Mounting bolt | Dowel pin |
|-----|---------------|-----------|
| 65 | M12X35 | φ12X32 |
| 125 | M16X50 | φ16X60 |

* Mounting bolt (DIN EN ISO4762)

* Dowel pin (DIN EN ISO8733/8735)

Order Catalog No.
VPUN-751