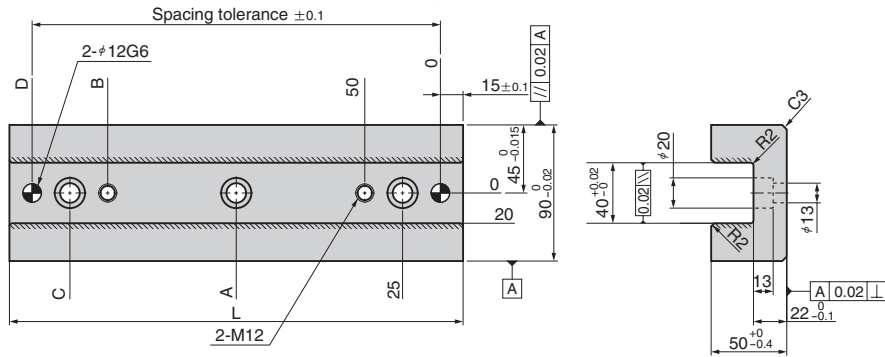


Center Key Guide

NAAMS STANDARD

CAD FILE

SNG41 (Steel Type) Series



Material : 1045(S45C) with Graphite
Area to be Induction Hardened (Hatched Area)
HRC40 or more

No. of Mounting Bolts	A	B	C	D	L	NAAMS Code	Catalog No.	
							Series Name	No.
2	—	120	145	170	200	G419020	SNG41	9020
3	135	220	245	270	300	G419030	SNG41	9030



Order

Catalog No.	
Series Name	No.
SNG41	9020

(SNG419020)

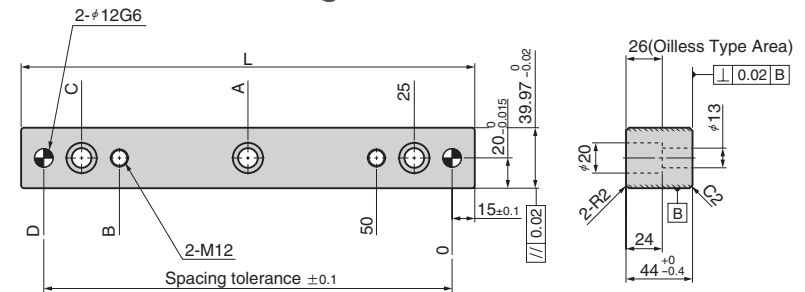
⚠ SNG41 Series is made to order.

OILLESS Center Key

NAAMS STANDARD

CAD FILE

SNG42 (Steel with Graphite) Series
SNG43 (Bronze with Graphite) Series



Material :
SNG42 1045(S45C) with Graphite
Area to be Induction Hardened(Hatched Area)
HRC40 or more
SNG43 Bronze with Graphite (SO#50 SP2)

No. of Mounting Bolts	A	B	C	D	L	NAAMS Code		Catalog No.	
						Steel Type	Bronze Type	Series Name	No.
2	—	120	145	170	200	G424020	G434020	SNG42	4020
3	135	220	245	270	300	G424030	G434030	SNG43	4030



Order

Catalog No.	
Series Name	No.
SNG43	4020

(SNG434020)

⚠ SNG42/43 Series is made to order.