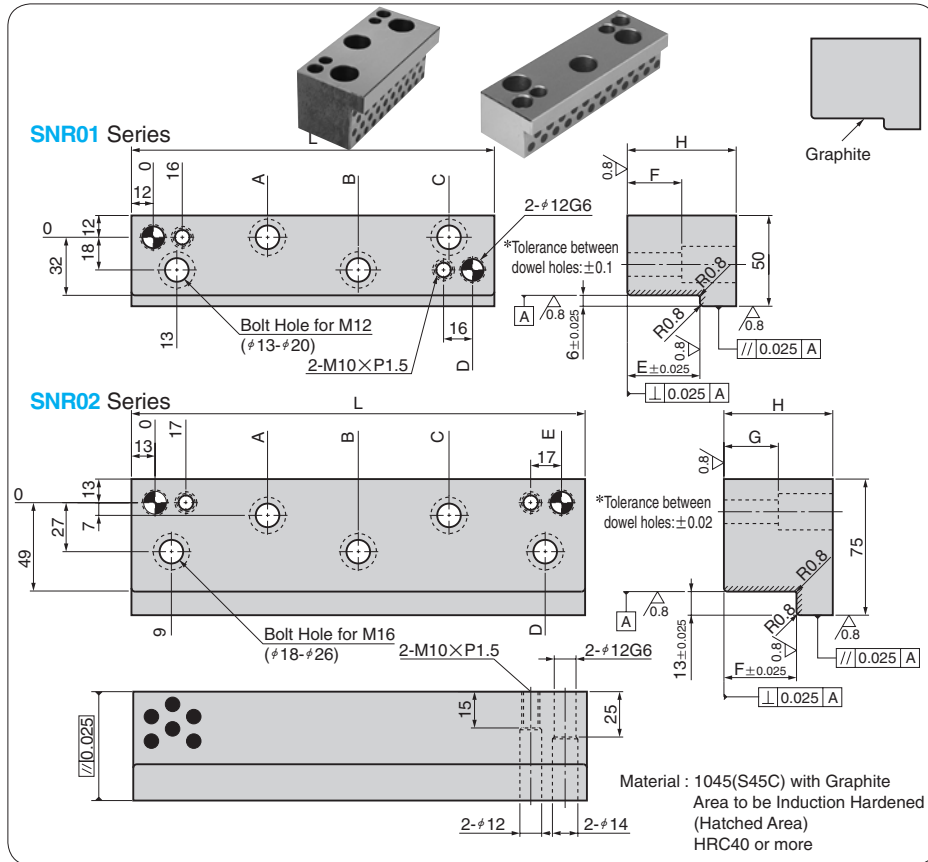


Keeper Block

NAAMS STANDARD

CAD FILE



No. of Holes	L	A	B	C	D	E	F	H	NAAMS Code	Catalog No.	
										Series Name	No.
2	75	—	—	38	51	25	15	37	R012507	SNR01	2507
	100	—	—	63	76				R012510		2510
	150	—	63	113	126				R012515		2515
4	200	63	113	163	176	32	15	45	R012520	SNR01	2520
	250	63	113	213	226				R013207		3207
2	75	—	—	38	51	37	30	50	R013210	SNR01	3210
	100	—	—	63	76				R013215		3215
3	150	—	63	113	126	48	30	60	R013220	SNR01	3220
	200	63	113	163	176				R013707		3707
2	75	—	—	38	51	37	30	50	R013710	SNR01	3710
	100	—	—	63	76				R013715		3715
4	200	63	113	163	176	48	30	60	R013720	SNR01	3720
	250	83	153	213	226				R014810		4810
3	150	—	63	113	126	48	30	60	R014815	SNR01	4815
	200	63	113	163	176				R014820		4820
4	200	63	113	163	176	48	30	60	R014825	SNR01	4825
	250	83	153	213	226				R014825		4825

No. of Holes	L	A	B	C	D	E	F	G	H	NAAMS Code	Catalog No.	
											Series Name	No.
2	100	—	—	—	65	74	35	25	50	R023510	SNR02	3510
	125	49.5	—	—	90	99				R023512		3512
	150	62	—	—	115	124				R023515		3515
4	200	62	—	112	165	174	40	25	60	R023520	SNR02	3520
	225	62	99.5	137	190	199				R023522		3522
5	250	62	112	162	215	224	50	30	70	R023525	SNR02	3525
	300	62	137	212	265	274				R023530		3530
	2	100	—	—	—	65				74		R024010
3	125	49.5	—	—	90	99	55	35	80	R024012	SNR02	4012
	150	62	—	—	115	124				R024015		4015
4	200	62	—	112	165	174	65	45	90	R024020	SNR02	4020
	225	62	99.5	137	190	199				R024022		4022
5	250	62	112	162	215	224	75	45	100	R024025	SNR02	4025
	300	62	137	212	265	274				R024030		4030
2	100	—	—	—	65	74	65	45	90	R025010	SNR02	5010
125	49.5	—	—	90	99	R025012				5012		
150	62	—	—	115	124	R025015				5015		
4	200	62	—	112	165	174	75	45	100	R025020	SNR02	5020
	225	62	99.5	137	190	199				R025022		5022
5	250	62	112	162	215	224	80	35	80	R025025	SNR02	5025
	300	62	137	212	265	274				R025030		5030
2	100	—	—	—	65	74	80	35	80	R025510	SNR02	5510
	125	49.5	—	—	90	99				R025512		5512
	150	62	—	—	115	124				R025515		5515
4	200	62	—	112	165	174	90	45	90	R025520	SNR02	5520
	225	62	99.5	137	190	199				R025522		5522
5	250	62	112	162	215	224	90	45	100	R025525	SNR02	5525
	300	62	137	212	265	274				R025530		5530
2	100	—	—	—	65	74	90	45	100	R026510	SNR02	6510
	125	49.5	—	—	90	99				R026512		6512
3	150	62	—	—	115	124	100	45	100	R026515	SNR02	6515
	200	62	—	112	165	174				R026520		6520
5	250	62	112	162	215	224	100	45	100	R026522	SNR02	6522
	300	62	137	212	265	274				R026525		6525
2	100	—	—	—	65	74	100	45	100	R027510	SNR02	7510
	125	49.5	—	—	90	99				R027512		7512
3	150	62	—	—	115	124	100	45	100	R027515	SNR02	7515
	200	62	—	112	165	174				R027520		7520
4	200	62	—	112	165	174	100	45	100	R027522	SNR02	7522
	225	62	99.5	137	190	199				R027525		7525
5	250	62	112	162	215	224	100	45	100	R027530	SNR02	7530
	300	62	137	212	265	274				R027530		7530



Order

Catalog No.

▲ SNR01/02 Series is made to order.

Series Name

No.

SNR02

7512

(SNR027512)