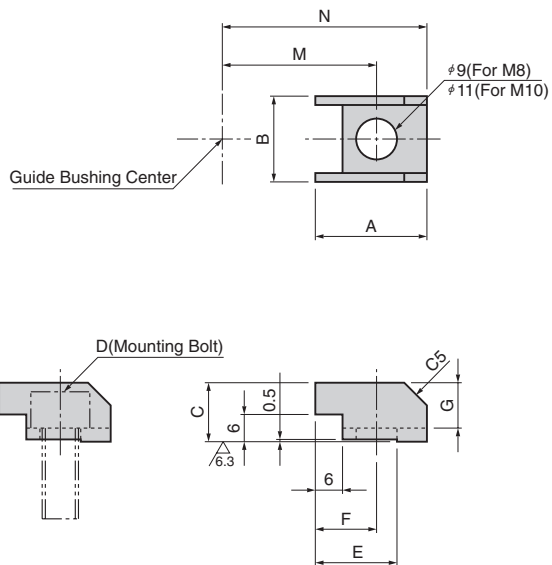


Guide Bushing Clamp

NAAMS STANDARD

CAD FILE

SNG72 (Space Saving) Series
SNG73 Series



Material : 1045(S45C)

Applicable Guide Post	M	N	A	B	C	D	E	F	G	NAAMS Code	Catalog No.	
											Series Name	No.
32	34	45.1										
40	40.5	51.6										
50	44.5	55.6										
63	54	65.1	24.6	18.9	13	M 8×20	18	13.5	10	G720000	SNG72	0000
80	65	76.1										
100	79	90.1										
115	86.5	97.6										
32	35.5	48.4										
40	42	54.9										
50	46	58.9										
63	55.5	68.4	27.9	23.5	15.5	M10×20	20.5	15	12.5	G730000	SNG73	0000
80	66.5	79.4										
100	80.5	93.4										
115	88	100.9										
125	100.5	113.4										



Order

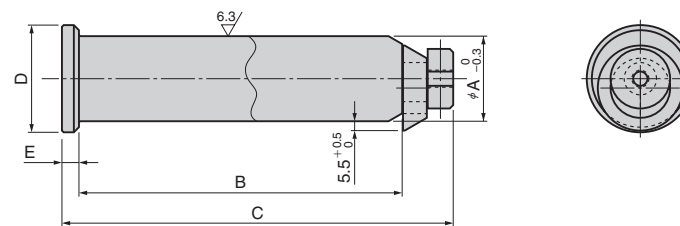
Catalog No.
Series Name No.
SNG73 0000 (SNG730000)

Lifting Pin

NAAMS STANDARD

CAD FILE

SNL01 Series



Material : 1144(SCM440)

A	B	C	D	E	NAAMS Code	Catalog No.	
						Series Name	No.
35	125	165	45	10	L013512		3512
50	190	230	63	10	L015019	SNL01	5019
63	280	320	76	10	L016328		6328
80	320	370	89	15	L018032		8032



Order

Catalog No.
Series Name No.
SNL01 5019 (SNL015019)



SNL01 Series is made to order.