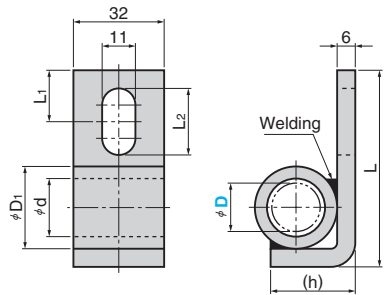


Stopper For Scrap Chute

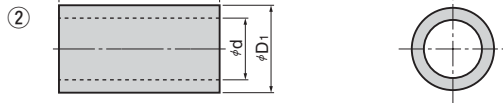
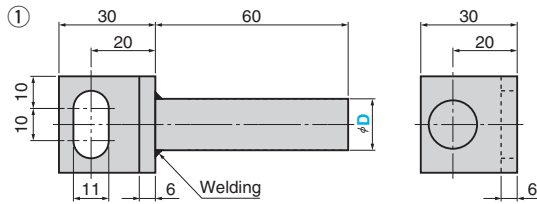
FOR SCRAP CHUTE

FSCG



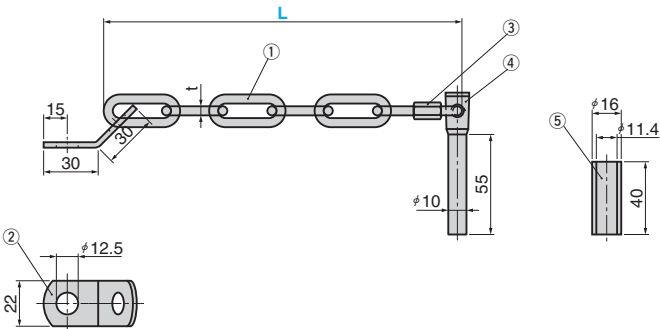
Material : SS400
Black Oxide

FSCH



Material : ① SS400
Black Oxide
② SS400

Chain Set for Chute Fixing
CHNS



No.	Material and Remark
①	SS400 Unicro
②	SS400
③	SS400 Joint Fixture
④	SS400 Unicro
⑤	STKM

d	D1	L1	L2	L	(h)	Catalog No.	D
19.2	27.2			65	22		16
23	34	17	22	75	25	FSCG	20

	Order	Catalog No.	D
		FSCG	20

d	D1	Catalog No.	D
19.2	27.2		16
23	34	FSCH	20

	Order	Catalog No.	D
		FSCH	20

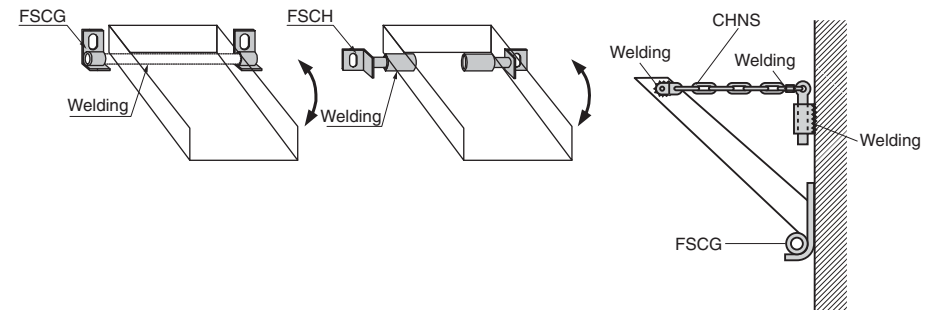
Chain Set for Chute Fixing

t	Chain Qty	Catalog No.	L
	7		200
5	10	CHNS	300
	15		500

	Order	Catalog No.	L
		CHNS	200

Joint tool (③) to be welded after adjustment.

EX Example



Fix chain set CHNS on the lower die as in the scrap chute.