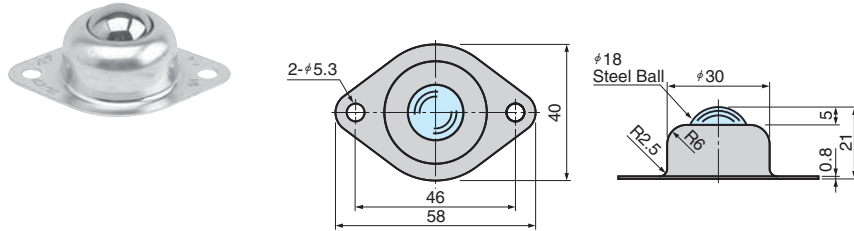


Planeveyor

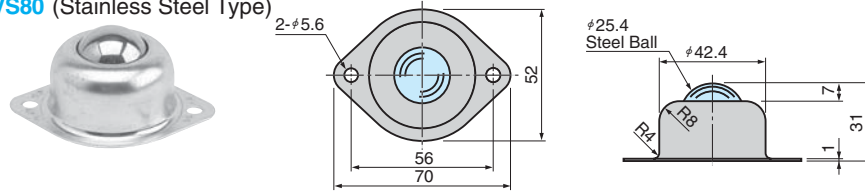
PRESS FORMING TYPE ONLY FOR UPWARD DIRECTION

CAD FILE

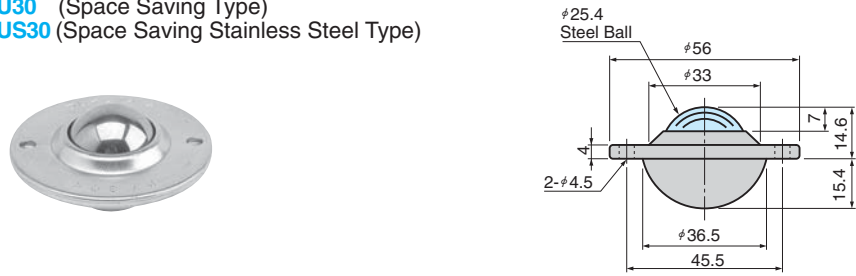
PV15
PVS15 (Stainless Steel Type)



PV30
PVS30 (Stainless Steel Type)
PV80
PVS80 (Stainless Steel Type)



PVU30 (Space Saving Type)
PVUS30 (Space Saving Stainless Steel Type)



Material : Cover Steel or stainless steel
Ball SUJ2
SUS440C



Order

Catalog No.	Nominal Size
PV	15
PVS	30

Load Capacity kgf	Weight g		Catalog No.	Nominal size
	PV	PVS		
15	52	49	PV PVS	15
30	147	138		30
80	219	220		80

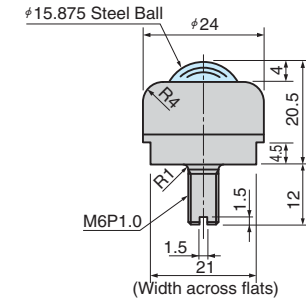
Load Capacity kgf	Weight g		Catalog No.	Nominal size
	PVU	PVUS		
30	134	130	PVU PVUS	30

Planeveyor

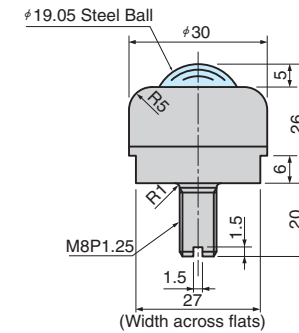
BOTH UPWARD AND DOWNWARD FACING

CAD FILE

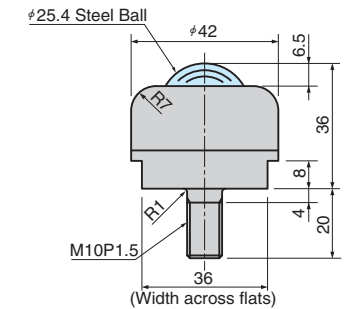
PVB20
PVBS20 (Stainless Steel Type)



PVB50
PVBS50 (Stainless Steel Type)
PVBH50 (Offal discharge type for downward direction)



PVB120
PVBS120 (Stainless Steel Type)
PVBH120 (Offal discharge type for downward direction)



Material : Cover Steel or stainless steel
Ball SUJ2
SUS440C



Order

Catalog No.	Nominal Size
PVB	20
PVBS	50

Load Capacity kgf	Weight g			Catalog No.	Nominal size
	PVB	PVBS	PVBH		
20	53	58	—	PVB PVBS	20
50	109	115	109	PVB PVBS PVBH	50
120	290	295	290		120



Use it for casters.