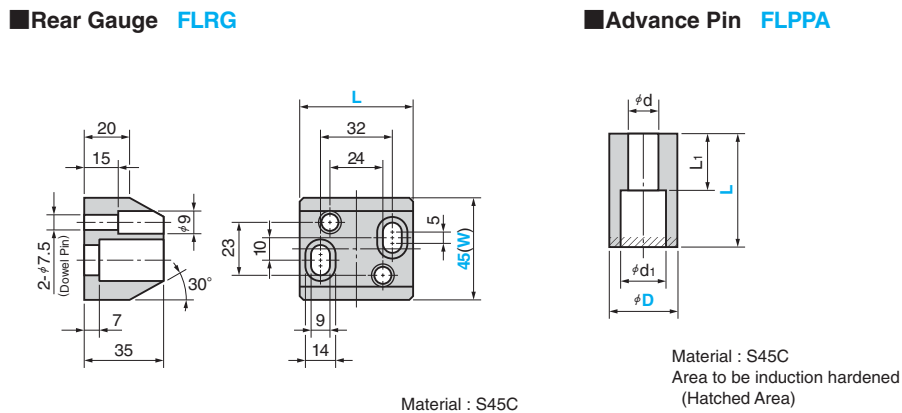
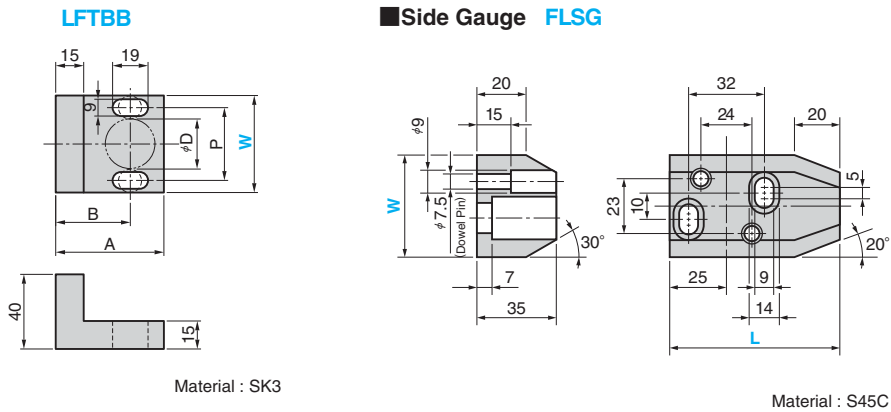
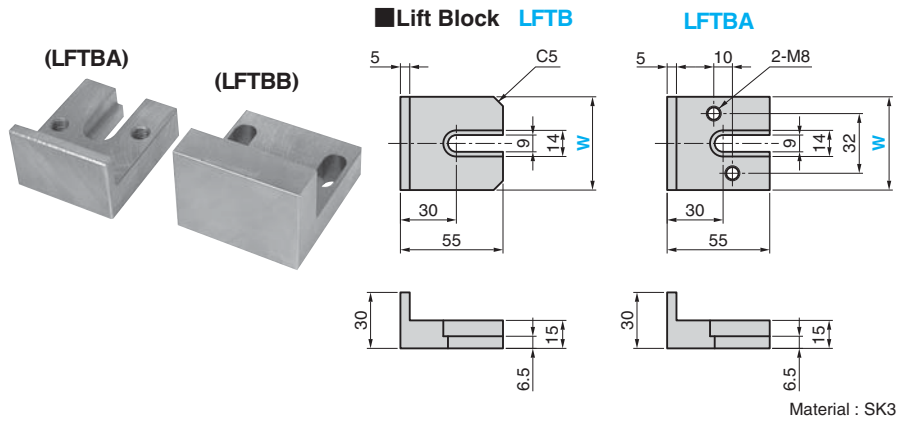


For Lifter

OPTION PARTS

CAD
FILE



■ Lift Block

LFTBB Standard Part Table

W	A	B	P	D
52	58	40	39	26
62	64	40	48	35
75	80	55	55	42

Catalog No.	W
LFTB	45
LFTBA	60
	52
LFTBB	62
	75



Order

Catalog No.

W

LFTB

50

■ Side Gauge

Catalog No.	W	L
FLGG	45	75



Order

Catalog No.

W

L

FLGG

45

75

■ Rear Gauge

Catalog No.	(W)	L
FLRG	45	50
		55



Order

Catalog No.

W

L

FLRG

45

55

■ Advance Pin

Lift Block LFTBB	Advance Pin FLPPA	d	d ₁	L ₁	Catalog No.	D	L Increments of 10 mm
52	25	9	14	See reference "L ₁ dimension & recommended bolt"	FLPPA	25	40~100
62	30	13	30			50~150	
75	35		35			50~150	



Order

Catalog No.

D

L

FLPPA

30

80

■ L₁ Dimension & Recommended Bolt

Catalog No.	D	L	L ₁	Recommended Bolt
FLPPA	25	40~60	20	M8×35
		70~100	40	M8×55
	30	50~60	25	M12×50
		70~100	45	M12×70
35	110~150	65	M12×90	