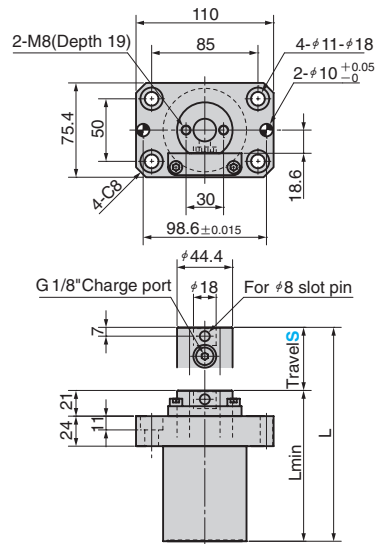


Lifter Guide Post Set

GUS SPRING TYPE FOR PROGRESSIVE DIE

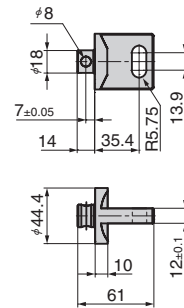


SLM

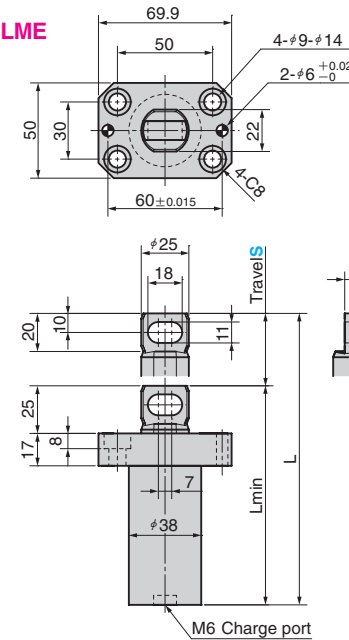


■ Attachment for SLM

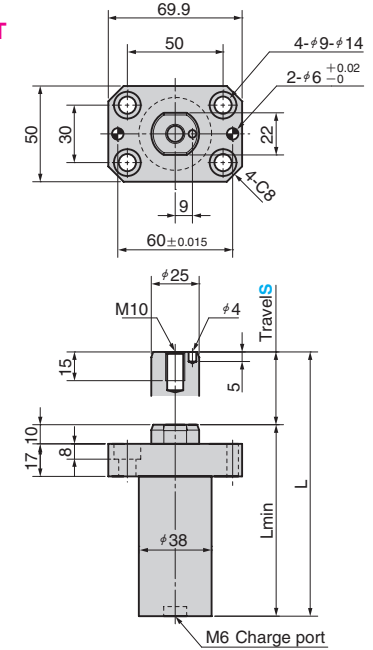
SLCP



SLME



SLMT



| Load N(kgf) (180bar×20°C) | | L | L min | Weight Kg | Catalog No. | Nominal | Travel S |
|------------------------------|---------------|-----|-------|--------------|-------------|------------|-------------|
| Initial load | Final load | | | | | | |
| 3200 (327) | 4300 (439) | 146 | 121 | 3.14 | SLM | 300 | 25 |
| | | 196 | 146 | 3.47 | | | 50 |
| | 4350 (444) | 256 | 176 | 3.91 | | | 80 |
| | | 296 | 196 | 4.21 | | | 100 |
| | | 346 | 221 | 4.57 | | | 125 |
| 1700 (173) | 2800 (286) | 396 | 246 | 4.92 | SLME | 170 | 150 |
| | | 127 | 102 | 0.81 | | | 25 |
| | 2800 (286) | 153 | 115 | 0.88 | | | 38 |
| | | 177 | 127 | 0.94 | | | 50 |
| | | 240 | 160 | 1.10 | | | 80 |
| 1700 (173) | 2800 (286) | 280 | 180 | 1.21 | SLMT | 170 | 100 |
| | | 330 | 205 | 1.35 | | | 125 |
| | 2800 (286) | 112 | 87 | 0.79 | | | 25 |
| | | 138 | 100 | 0.86 | | | 38 |
| | | 162 | 112 | 0.92 | | | 50 |
| 2800 (286) | 225 | 145 | 1.09 | 80 | | | |
| | 265 | 165 | 1.19 | 100 | | | |
| | | 315 | 190 | 1.33 | | | 125 |



Order

| Catalog No. | D | L |
|-------------|-----|-----|
| SLM | 300 | 125 |
| SLME | 170 | 80 |
| SLCP | 300 | |

■ Attachment for SLM 300. SLCP

| Weight Kg | Catalog No. | Nominal |
|--------------|-------------|------------|
| 0.04 | SLCP | 300 |

● Oblong hole attachment of SLM300. It is mounted at the end for installation of the lifter bar or guide rail.



Example

