

OMLGT40

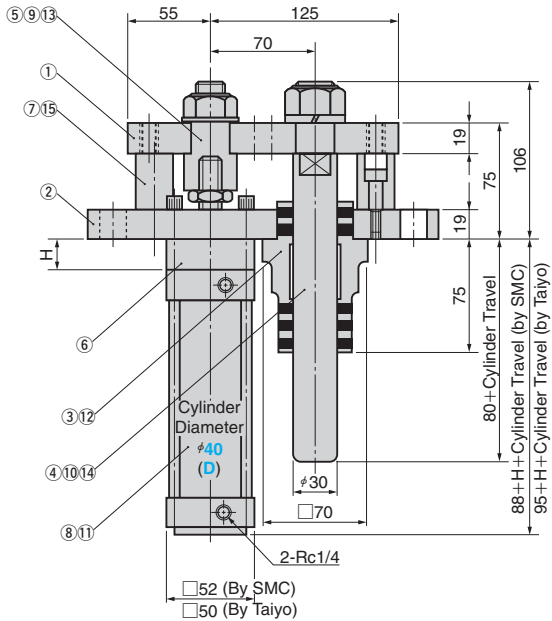
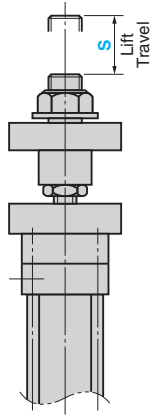
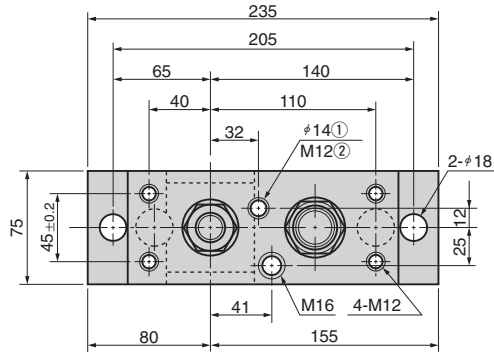


Table of Components

No.	Description	Qty	Material and Remark	No.	Description	Qty	Material and Remark
①	Lifter Plate	1	SS400	⑨	U Nut	1	M20
②	Cylinder Holder Plate	1	SS400	⑩	U Nut	1	M24
③	Guide Holder	1	FC250 with Graphite	⑪	Hexagon Socket Head Bolt	4	M6
④	Guide Pin	1	S45C HRC55 to 60	⑫	Hexagon Socket Techno-Bolt	2	M12×35
⑤	Joint	1	SS400	⑬	Flat Washer	1	For M20
⑥	Block	1	SS400	⑭	Spring Washer	1	For M24
⑦	Stopper	2	Urethane	⑮	Shoulder Bolt	2	SCM435 M8×20
⑧	Air Cylinder (Select the type.)	(1)	MB40 (for S)by SMC 10A-6SD40B (for T)by TAIYO				

Travel S	10	20	30	40	50	60	70	80	90	100	110	120	130	140	150
Block Height H	40	30	20	10	—	40	30	20	10	—	40	30	20	10	—
Cylinder Travel	50					100					150				

Travel S	160	170	180	190	200	210	220	230	240	250
Block Height H	40	30	20	10	—	40	30	20	10	—
Cylinder Travel	200					250				

Catalog No.	Cylinder Diameter (D)	Travel S:	Cylinder Type
		Increments of 10 mm	
OMLGT	40	10 ~ 50	S (by SMC)
		60 ~ 100	
		110 ~ 150	T (by Taiyo)
		160 ~ 200	
		210 ~ 250	

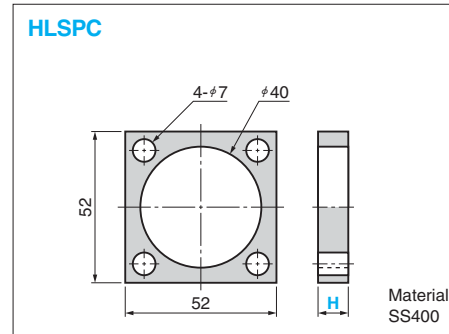
•Actual output of cylinder  
When the air pressure is 500 kPa, it is  
Approx.  $600 \times 0.7 = 420$  N.

•Other cylinder type (manufacturer)  
If you want to change the cylinder, please  
contact the sales representative.



Order **Catalog No.** (D) - S - Cylinder Type  
**OMLGT 40 - 100 - T**

Block (⑥) for OMLGT40



Catalog No.	(D)	H
HLSPC	40	10
		20
		30
		40



Order **Catalog No.** (D) - H  
**HLSPC 40 - 30**

For operation

Refer to the dimension of the casting hole below for installation.

