

HLSGT40

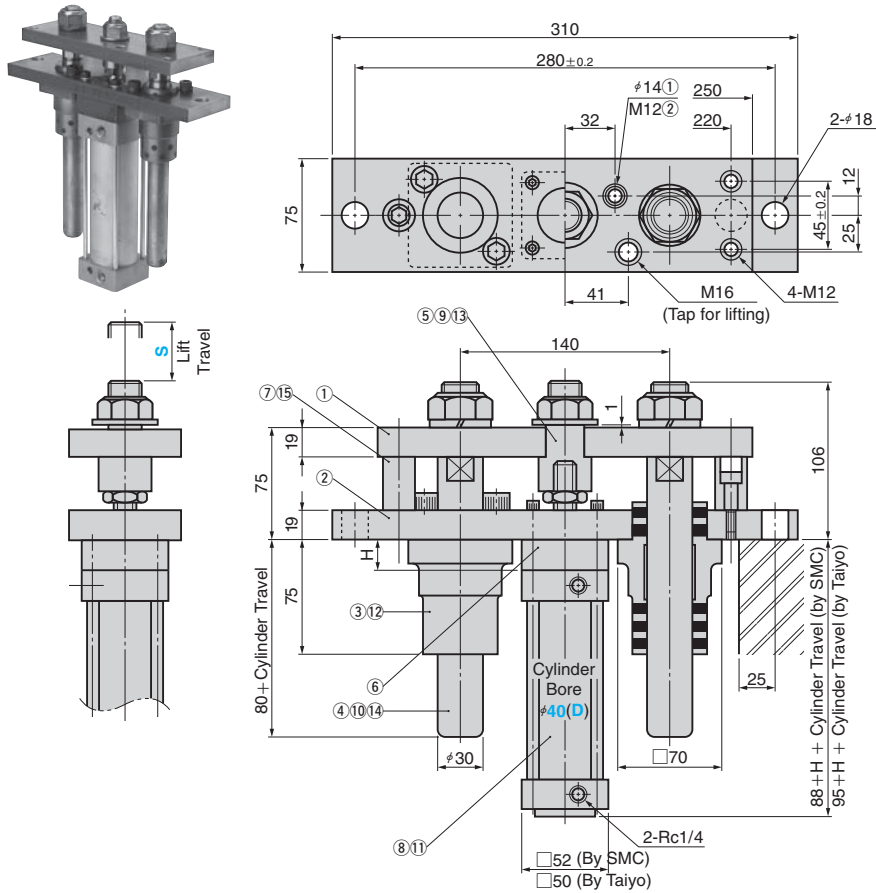


Table of Components

No.	Description	Qty	Material and Remark	No.	Description	Qty	Material and Remark
①	Lifter Plate	1	SS400	⑨	U Nut	1	M20
②	Cylinder Holder Plate	1	SS400	⑩	U Nut	2	M24
③	Guide Holder	2	FC250 with Graphite	⑪	Hexagon Socket Head Bolt	4	M6
④	Guide Pin	2	S45C HRC55 to 60	⑫	Hexagon Socket Techno-Bolt	4	M12×35
⑤	Joint	1	SS400	⑬	Flat Washer	1	For M20
⑥	Block	1	SS400	⑭	Spring Washer	2	For M24
⑦	Stopper	2	Urethane	⑮	Shoulder Bolt	2	SCM435 M8×20
⑧	Air Cylinder (Select the type.)	(1)	MB40(for S)by SMC 10A-6SD40B(for T)by TAIYO				

Lift Travel S	10	20	30	40	50	60	70	80	90	100	110	120	130	140	150
Block Height H	40	30	20	10	—	40	30	20	10	—	40	30	20	10	—
Cylinder Travel	50					100					150				

Lift Travel S	160	170	180	190	200	210	220	230	240	250
Block Height H	40	30	20	10	—	40	30	20	10	—
Cylinder Travel	200					250				

Catalog No.	Cylinder Bore (D)	Lift Travel S: Increments of 10 mm	Cylinder Type
HLSGT	40	10 ~ 50	S
		60 ~ 100	(by SMC)
		110 ~ 150	T
		160 ~ 200	(by Taiyo)
		210 ~ 250	

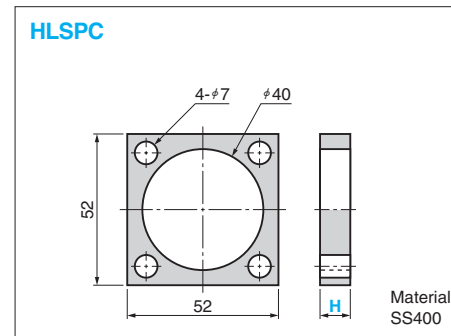
• Cylinder actual output
Air pressure: 500 kPa
Approx. 600×0.7 = 420 N.

• If you want to use other cylinder type (different cylinder manufacturer), please contact our sales representative.



Order **Catalog No.** **(D)** **S** **Cylinder Type**
HLSGT 40 - 110 - S

For Block (⑥) HLSGT40



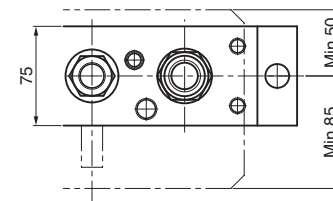
Catalog No.	(D)	H
HLSPC	40	10
		20
		30
		40



Order **Catalog No.** **(D)** **H**
HLSPC 40 - 30

For Operation

Refer to the dimension of the casting hole below for installation.



HLSGT63

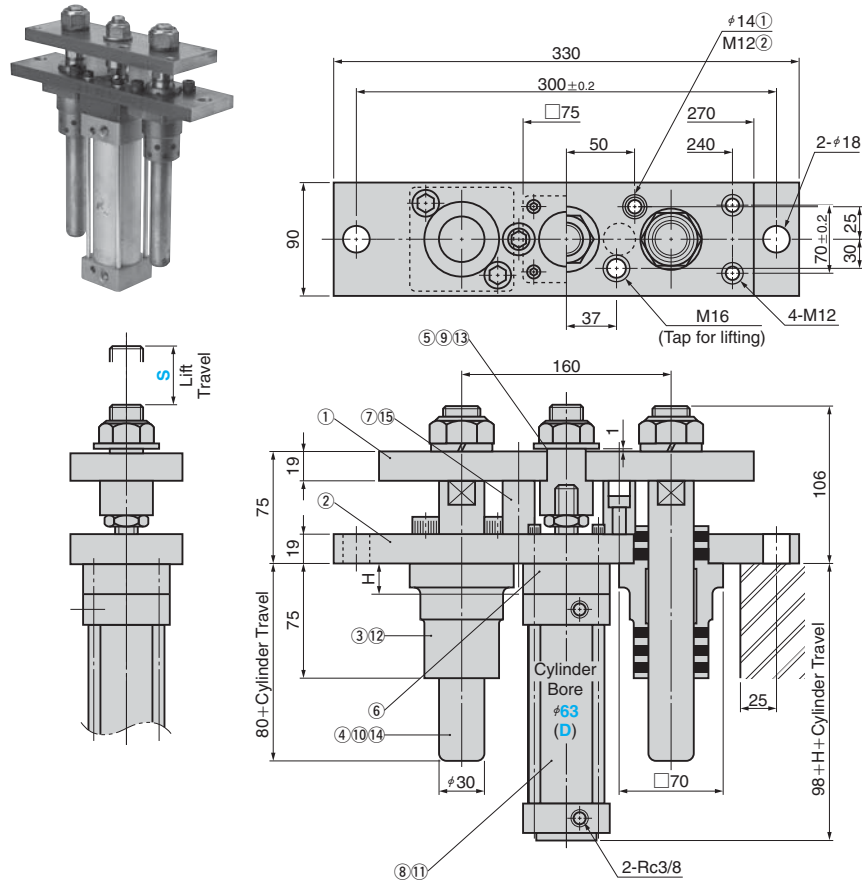


Table of Components

No.	Description	Qty	Material and Remark	No.	Description	Qty	Material and Remark
①	Lifter Plate	1	SS400	⑨	U Nut	1	M20
②	Cylinder Holder Plate	1	SS400	⑩	U Nut	2	M24
③	Guide Holder	2	FC250 with Graphite	⑪	Hexagon Socket Head Bolt	4	M8
④	Guide Pin	2	S45C HRC55 to 60	⑫	Hexagon Socket Techno-Bolt	4	M12×35
⑤	Joint	1	S45C	⑬	Flat Washer	1	For M20
⑥	Block	1	SS400	⑭	Spring Washer	2	For M24
⑦	Stopper	2	Urethane	⑮	Shoulder Bolt	2	SCM435 M8×20
⑧	Air Cylinder (Select the type.)	(1)	MB 63(for S) by SMC 10A-6SD63B(for T) by TAIYO				

Lift Travel S	10	20	30	40	50	60	70	80	90	100	110	120	130	140	150
Block Height H	40	30	20	10	—	40	30	20	10	—	40	30	20	10	—
Cylinder Travel	50					100					150				

Lift Travel S	160	170	180	190	200	210	220	230	240	250
Block Height H	40	30	20	10	—	40	30	20	10	—
Cylinder Travel	200					250				

Catalog No.	Cylinder Bore (D)	Lift Travel S: Increments of 10 mm	Cylinder Type
HLSGT	63	10 ~ 50	S (by SMC)
		60 ~ 100	
		110 ~ 150	T (by Taiyo)
		160 ~ 200	
		210 ~ 250	

• Cylinder actual output
Air pressure: 500 kPa
Approx. 600×0.7 = 420 N.

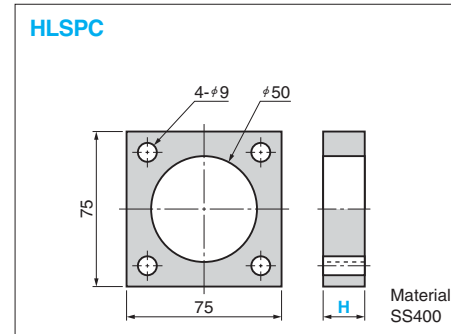
• If you want to use other cylinder type (different cylinder manufacturer), please contact our sales representative.



Order

Catalog No.	(D)	—	S	—	Cylinder Type
HLSGT	63	—	160	—	S

For Block (⑥)HLSGT63



Catalog No.	(D)	H
HLSPC	63	10
		20
		30
		40

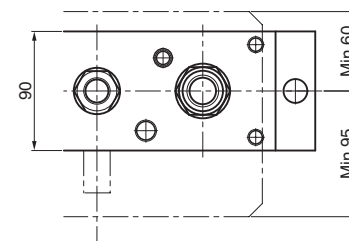


Order

Catalog No.	(D)	—	H
HLSPC	63	—	10

For Operation

Refer to the dimension of the casting hole below for installation.



HLSGT80

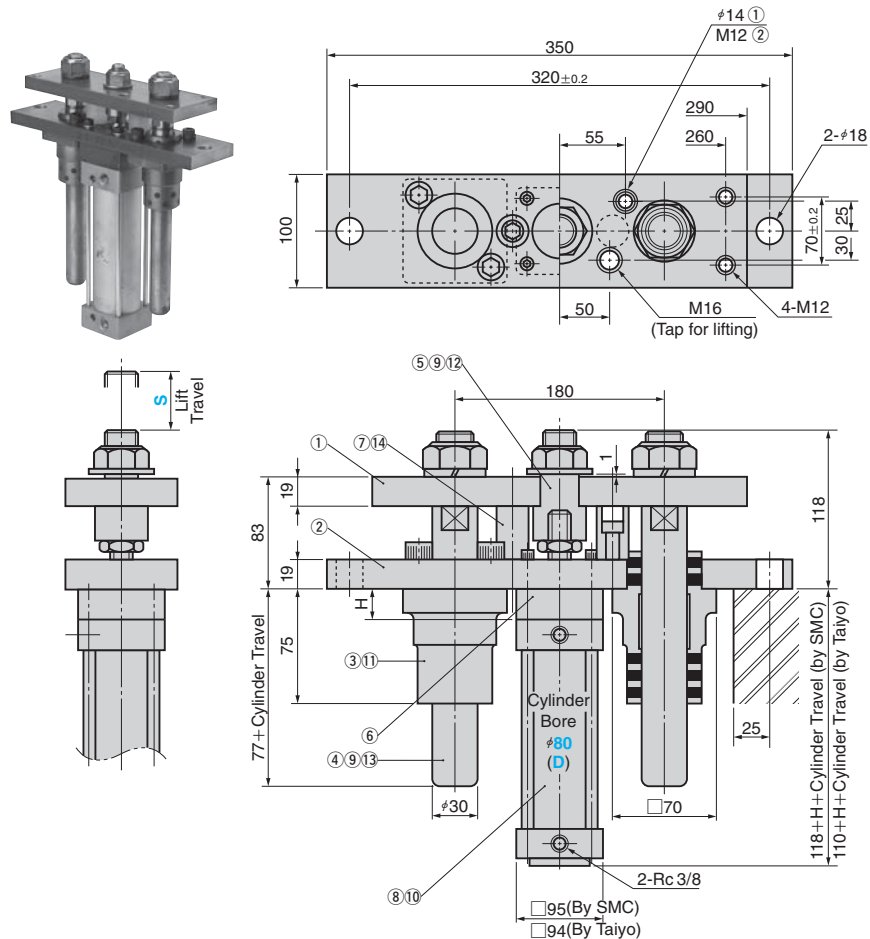


Table of Components

No.	Description	Qty	Material and Remark	No.	Description	Qty	Material and Remark
①	Lifter Plate	1	SS400	⑨	U Nut	3	M24
②	Cylinder Holder Plate	1	SS400	⑩	Hexagon Socket Head Bolt	4	M10
③	Guide Holder	2	FC250 with Graphite	⑪	Hexagon Socket Techno-Bolt	4	M12×35
④	Guide Pin	2	S45C HRC55 to 60	⑫	Flat Washer	1	For M24
⑤	Joint	1	S45C	⑬	Spring Washer	2	For M24
⑥	Block	1	SS400	⑭	Shoulder Bolt	2	SCM435 M8×20
⑦	Stopper	2	Urethane				
⑧	Air Cylinder (Select the type.)	(1)	MB80(for S) SMC 10A-6SD80B(for T)by TAIYO				

Lift Travel S	10	20	30	40	50	60	70	80	90	100	110	120	130	140	150
Block Height H	40	30	20	10	—	40	30	20	10	—	40	30	20	10	—
Cylinder Travel	50					100					150				

Lift Travel S	160	170	180	190	200	210	220	230	240	250
Block Height H	40	30	20	10	—	40	30	20	10	—
Cylinder Travel	200					250				

Catalog No.	Cylinder Bore (D)	Lift Travel S: Increments of 10 mm	Cylinder Type
HLSGT	80	10 ~ 50	S
		60 ~ 100	(by SMC)
		110 ~ 150	T
		160 ~ 200	(by Taiyo)
		210 ~ 250	

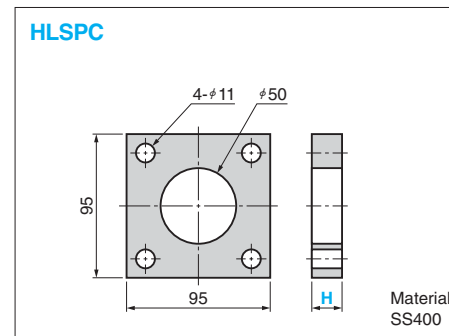
• Cylinder actual output
Air pressure: 500 kPa
Approx. 600×0.7 = 420 N.

• If you want to use other cylinder type (different cylinder manufacturer), please contact our sales representative.



Order - - -

For Block (⑥)HLSGT80



Catalog No.	(D)	H
HLSPC	80	10
		20
		30
		40



Order -

For Operation

Refer to the dimension of the casting hole below for installation.

