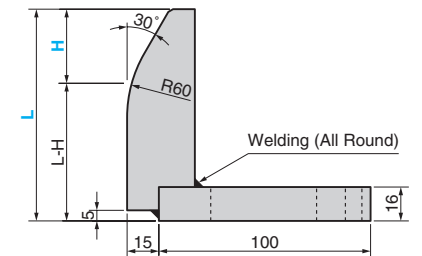
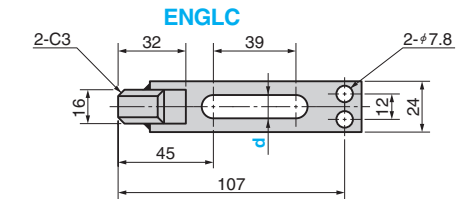
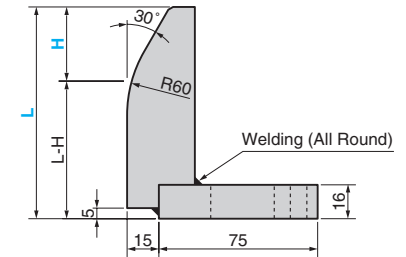
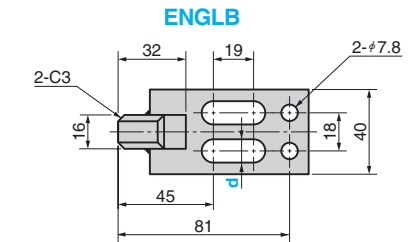
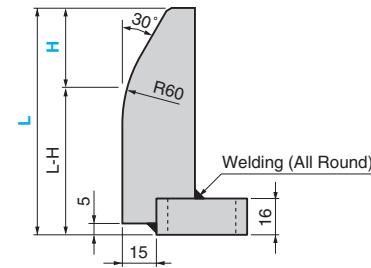
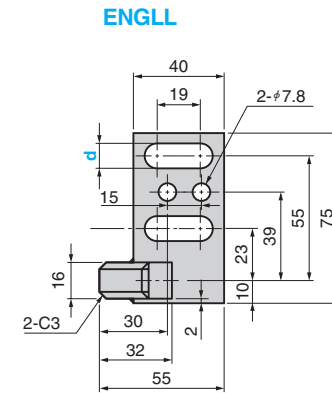
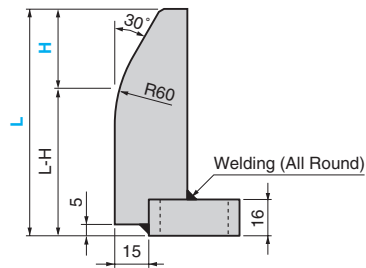
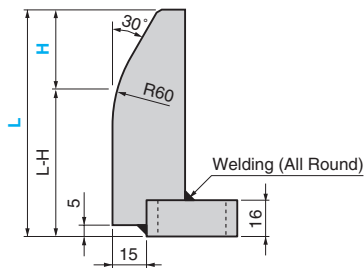
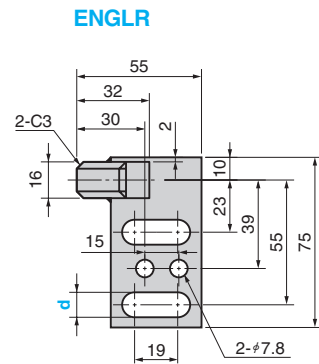
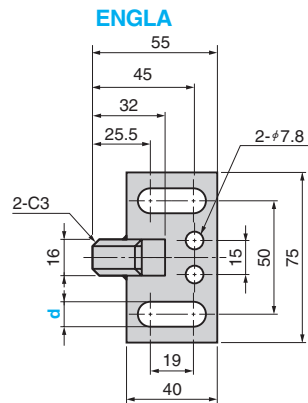


Nest Gauge

16mm THICK TYPE. ECONOMY

CAD
FILE



Material : Gauge SS400
 Gauge base SS400
 Accessory : Mounting bolt M10(M12)×30 2 pieces
 Washer For M10(M12) 2 pieces

Catalog No.	L Increments of 5 mm	H Increments of 5 mm	d*
ENGLA ENGLB	65~100		11
ENGLR ENGLC	105~150	20~40	13
ENGLL	155~200		13



Order

Catalog No. L - H - d*
ENGLA 150 - 25 - 13

* ENGLB type is only for d = 11.