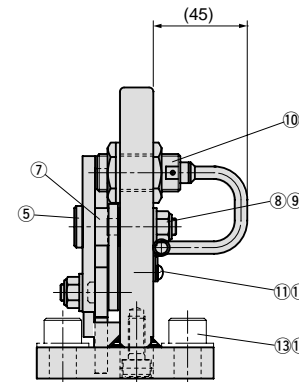
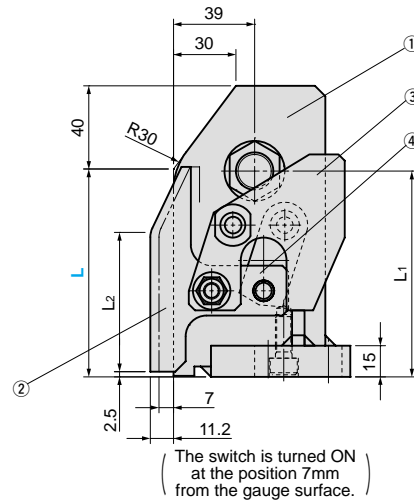


# Panel Input Detector Gauge

PARALLEL LINK GAUGE SURFACE HARDENED TYPE

NEW CAD FILE

HTKHL (L Type)  
HTKHR (R Type)

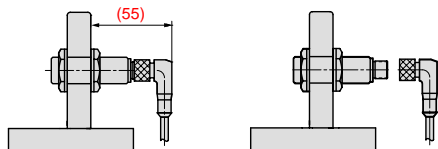


\* This figure shows the L type.  
The R type is symmetrical.

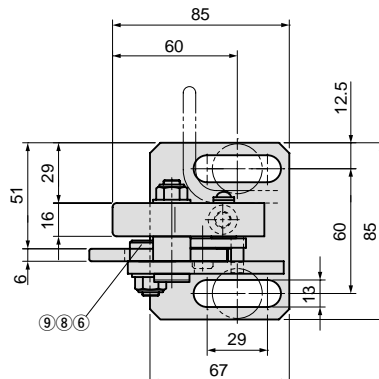
## ■EFECTOR Connector(IG0348, UL Standard)

- Operation power voltage  
AC/DC (common) 20V ~ 250V
- Connector type (with Prevention mechanism from loosening)  
Since the cable can be removed, replacement of the switch or wiring for adjustment is not required.(figure below)

### EFECTOR's Switch Mounting



\* Connector (cable) is disconnected.



\*The lead wire length is 5m.

## ■Table of Components

No.	Description	Qty	Material and Remark
①	Gauge	1	S45C HRC50~60
②	Detection Lever	1	S45C HRC50~60
③	F Link	1	SS400
④	R Link	1	SS400
⑤	Pin A	1	S45C HRC20~25
⑥	Pin B	1	S45C
⑦	Collar	1	SS400
⑧	U Nut	2	For M8
⑨	Flat Washer	2	For M8
	Proximity Switch(for AC)	(1)	E2E-X5Y1-MR by Omron
⑩	Proximity Switch(for DC)	(1)	E2E-X5E1-5M by Omron
	Proximity Switch(for EC)	(1)	IG0348 by EFECTOR
⑪	Round Head Screw	1	M4×8
⑫	Cable clip	1	UC-1
⑬	Hexagon Socket Head Bolt	2	SCM435 M12×35
⑭	Flat Washer	2	For M12

L1	L2	Catlog No.	L	Switch Type
99	42	HTKHL HTKHR	75	AC (for 24V to 240V) DC (24V)
99	67		100	EC (EFECTOR conector)
124	117		150	SN (without switch)



Order

Catalog No.	L	Switch Type
HTKHL	100	AC
HTKHR	150	SN

## ■Features of Unit

- Since the detection lever moves parallel, the detection switch is activated regardless of vertical variation of the panel position.
- Position alignment and adjustment of the gauge mounting surface, the lever length and the lever support point are not required.
- Since the Lower end of the detection lever moves almost horizontally, machining of the step between the die face and the gauge mounting surface is approx. 3mm. It is great reduction of machining hours.
- The clearance depth at the detection lever for the die is approx. half of the conventional product.

