

KRGK

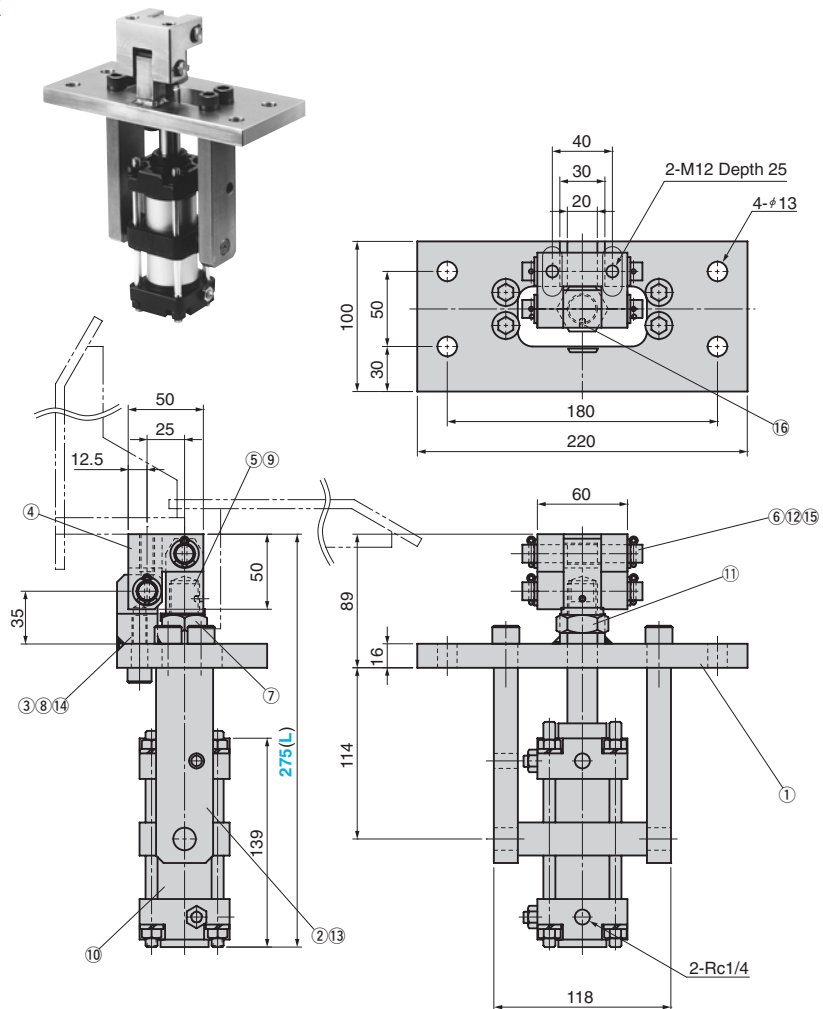


Table of Components

No.	Discription	Qty	Material and Remark	No.	Discription	Qty	Material and Remark
①	Base Plate	1	SS400	⑨	Bushing	1	Drystar LBM1220
②	Cylinder Support	2	SS400	⑩	Air Cylinder	1	CA2T40-50 (SMC)
③	Gauge Bracket Suport	1	SS400	⑪	Hexagon Nut	1	M20×15
④	Gauge Bracket	1	SS400	⑫	Cotter pin	4	3×18
⑤	Joint	1	SS400	⑬	Hexagon Socket Techno-Bolt	4	SCM435 M12×40
⑥	Joint Pin	2	S45C HRC55 ~ 60	⑭	Hexagon Socket Techno-Bolt	1	SCM435 M10×35
⑦	Turning Lock Plate	1	SPCC T=0.8	⑮	Washer	4	For φ12
⑧	Bushing	1	Drystar LBM1220	⑯	Hexagonal Socket Head Screw	1	M4×6

Catalog No.	(L)
KRGK	275



Order

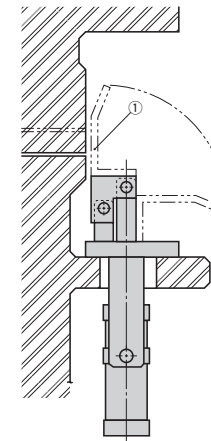
Catalog No.	(L)
KRGK	275

KRGK is made to order.

For Operation

- The Gauge (Fig.①) are not accompanied.

Assembly Structure



This is compatible with the mounting position of old standard part KRGD. The gauge bracket structure was reinforced stronger than the old standard part.