

# Shock Absorbing Urethane Stopper

FOR SHOCK ABSORPTION

CAD  
FILE

MEMO

UCSP

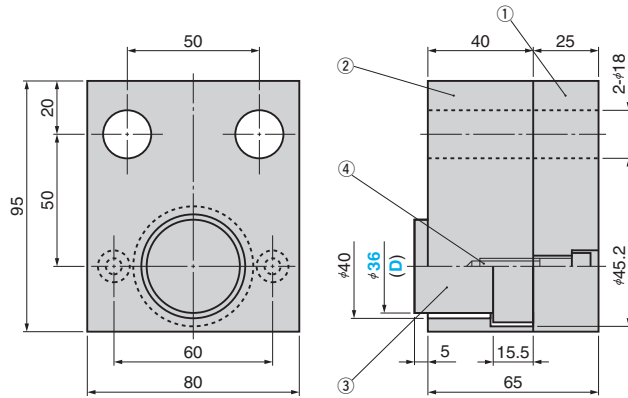


Table of Components

No.	Description	Qty	Material and Remark
①	Set Plate	1	SS400
②	Holder Plate	1	SS400
③	Urethane Stopper	1	Urethane Shore A90
④	Hexagon Socket Head Bolt	2	SCM435 M6×30

\* Load at urethane compression of 5 mm is 9800 N.

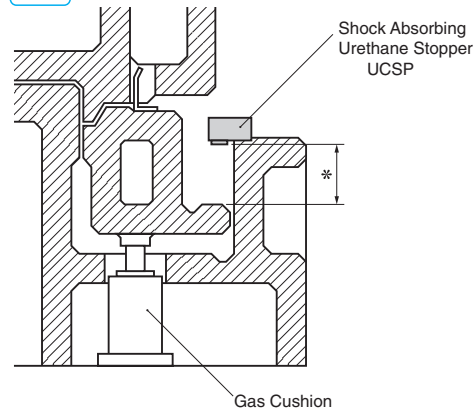
Catalog No.	(D)
UCSP	36

Order 

Catalog No.	(D)
UCSP	36



Example



\* Guideline for height

- For Cushion Pin  
Travel S + 20
- For Gas Cushion  
Travel S + 2
- For Coil Spring  
Travel S + 5