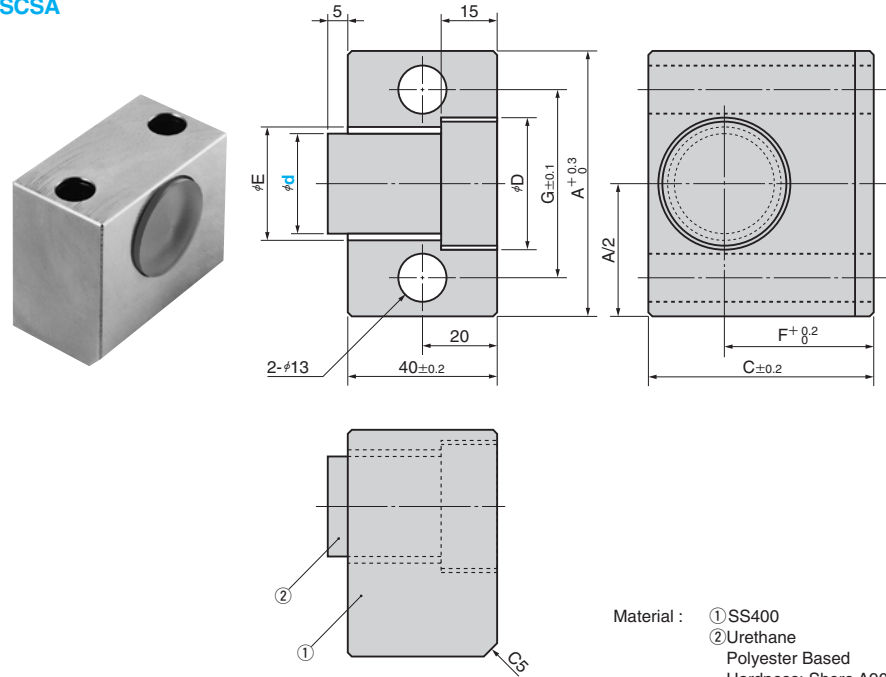


Cam Stopper

40 mm THICK TYPE

CAD FILE

SCSA



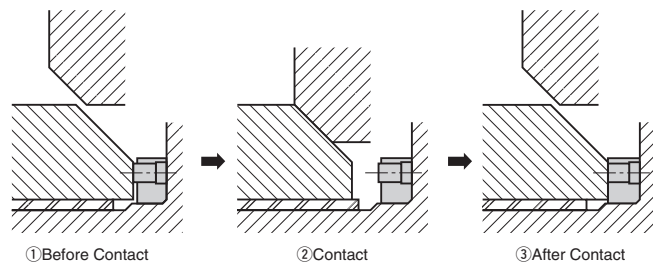
Material : ① SS400
② Urethane Based Polyester Based
Hardness: Shore A90

A	C	D	E	F	G	Load N	Catalog No.	d
70	60	35	30	40	50	5200	SCSA	27
80	70	45	40	45	60	9800		36

Order

* Load is the value at 5 mm compression.

EX Example



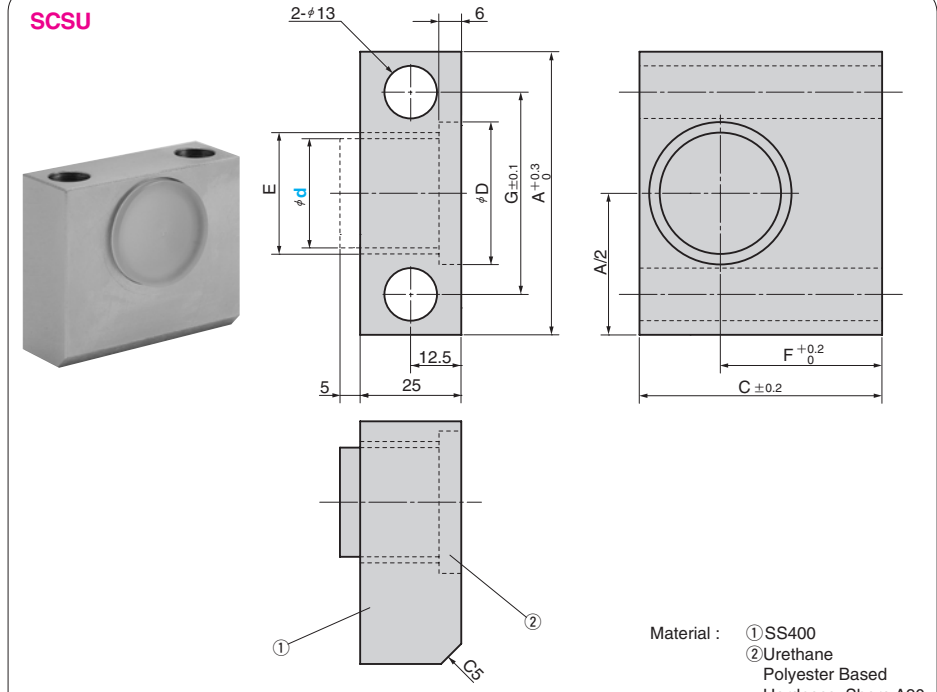
Cam Stopper

THIN TYPE

NEW

Cam Slide Components

SCSU



Material : ① SS400
② Urethane Based Polyester Based
Hardness: Shore A90

A	C	D	E	F	G	Load N	Catalog No.	d
70	60	35.2	30	40	50	2100	SCSU	27
80	70	45.2	40	45	60	4200		36

Order

* Load is the value at 5 mm compression.