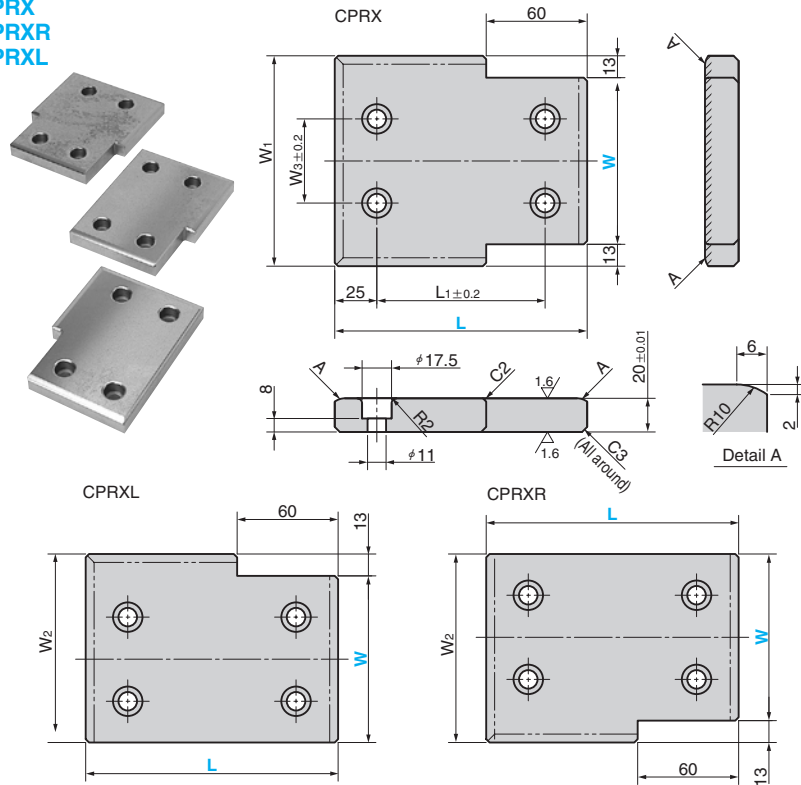


Cam Positive Return Plate

SINTERED TYPE

CAD FILE

CPRX
CPRXR
CPRXL



● Sliding Direction Material : Copper Powder Sintered (#200)
Hatched Area Sintered
Thickness 1.2 mm or more
SS400(base plate)



W (Actual Size)	W ₁	W ₂	W ₃	L ₁	Catalog No.	W (Nominal)	L
74	100	87	40	50	CPRX CPRXR CPRXL	75	100
				75			125
				100			150
				150			200
				200			250
99	125	112	50	100		100	150
				150			200
				200			250
124	150	137	90	100		125	150
				150			200

▲ L = 250 is made to order.



Order

Catalog No.	W	-	L
CPRX	75	-	200



Option

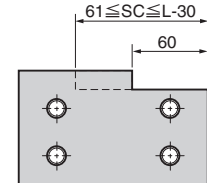
Option Code	Specification
SC	The notch length is changed. Specify the length after the SC code. Increments of 1 mm. $61 \leq SC \leq L - 30$



Order

CPRX75-200-SC100
CPRXL75-200-SC80

• SC specification drawing



Example

