

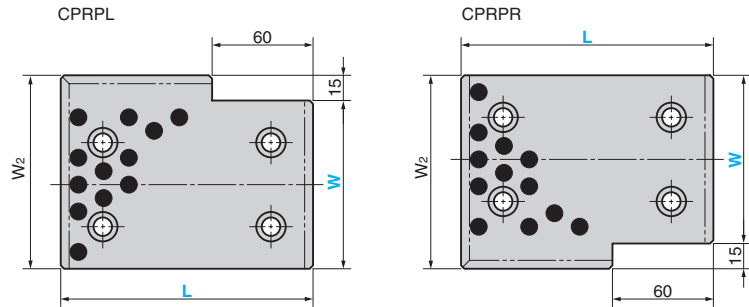
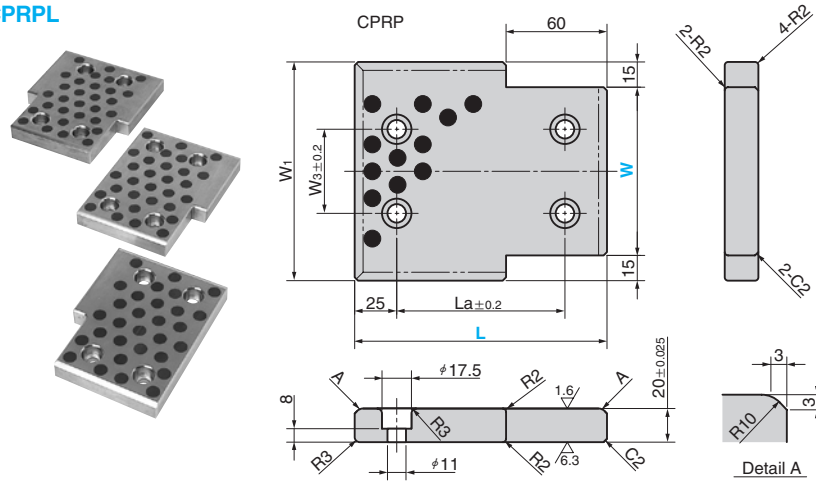
Cam Positive Return Plate

BRONZE WITH GRAPHITE TYPE

Addition

CAD FILE

CPRP
CPRPR
CPRPL



● Sliding Direction
↔

Material : Bronze with Graphite (SO#50 SP2)

W1	W2	W3	La	Catalog No.	W	L
105	90	40	50		75	100
			75			125
			100			150
130	115	50	75	CPRP CPRPR CPRPL	100	125
			100			150
			100			200
155	140	75	150		125	200
			200			250
			150			200
180	165	100	150		150	200
			200			250



Order

Catalog No. W - L
CPRP 125 - 200



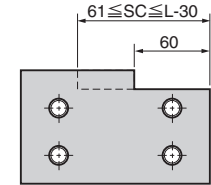
L = 250 is made to order.



Option

Option Code	Specification
SC	The notch length is changed. Specify the length after the SC code. Increments of 1 mm. $61 \leq SC \leq L - 30$
TTC	Sheet thickness tolerance was changed to ± 0.01 .

• SC specification drawing



Order

CPRP125-200-SC80
CPRP125-200-TTC
CPRP125-200-SC80-TTC



Example

