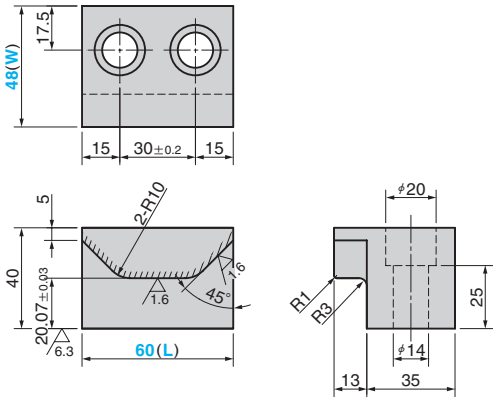


Cam Positive Return Follower

FOR EMBEDDED DRIVER PLATE AND CAM DRIVER

NEW CAD FILE

CPRKW (Bronze with Graphite Type)
CPRKS (SS400 Type)
CPRKK (S45C Type)



Material :
 CPRKW Bronze with Graphite (SP2)
 CPRKS SS400
 CPRKK S45C Area to be Induction Hardened (Hatched Area) HRC55 or more

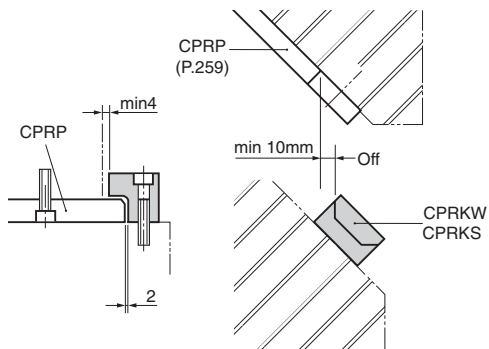
■ We are ready to accept requests or orders for special parts.

Catalog No.	(W)	(L)
CPRKW	48	60
CPRKS		
CPRKK		

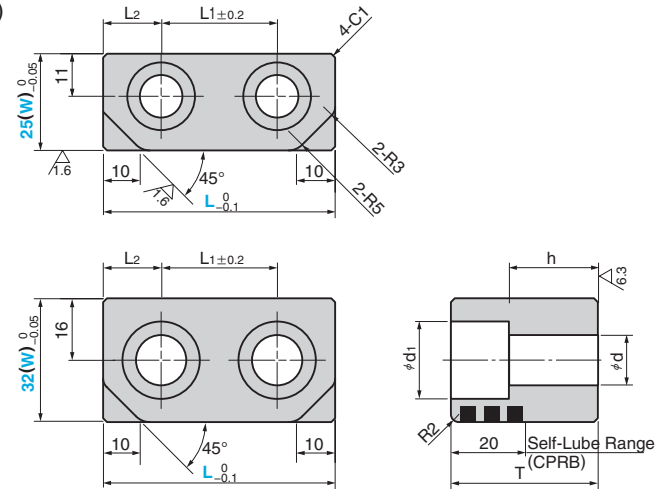
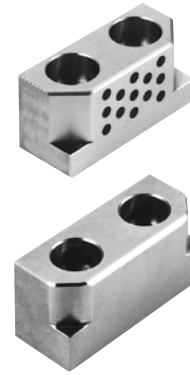
Order

Catalog No.	(W)	(L)
CPRKK	48	60

EX Example



CPRB (Bronze with Graphite Type)
CPRBS (Bronze Type)



● Sliding Direction

*This figure shows CPRB. CPRBS is without Graphite Type.

Material :
 CPRB Bronze with Graphite (SO#50 SP2)
 CPRBS Bronze (SP2)

T	L ₁	L ₂	d	d ₁	h	Catalog No.	W	L
30	30	15	11	17.5	18	CPRB	25	60
38	40	20	13	20	23	CPRBS	32	80

Order

Catalog No.	W	L
CPRB	32	80

