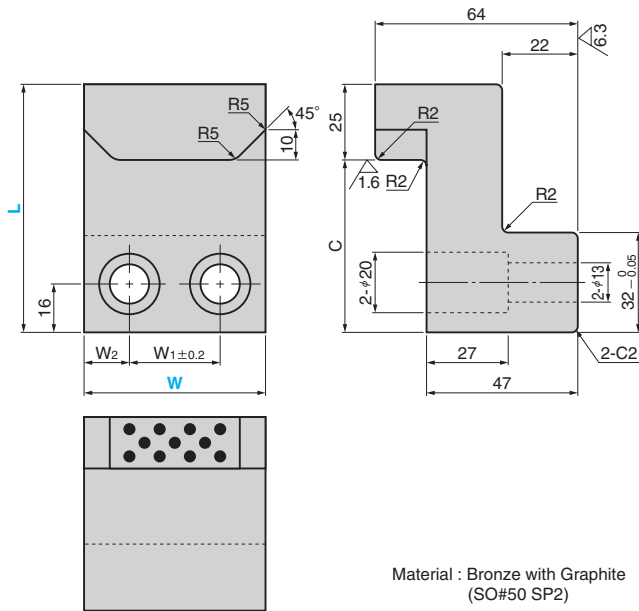


Cam Positive Return Follower

FOLLOWER AND DRIVER SET TYPE

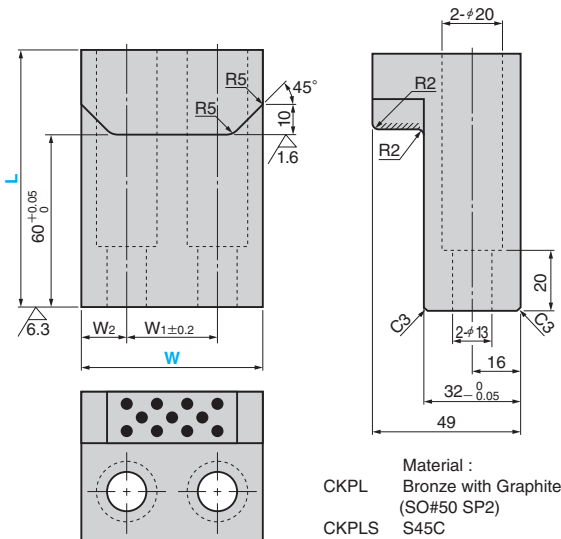
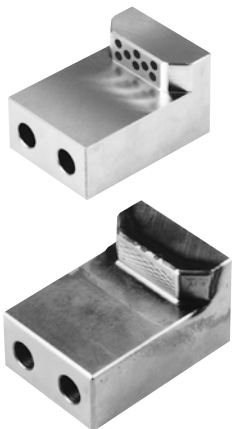
CAD FILE

CKPZ



Material : Bronze with Graphite (SO#50 SP2)

CKPL (Bronze with Graphite Type)
CKPLS (Steel Type)



Material :
CKPL Bronze with Graphite (SO#50 SP2)
CKPLS S45C
Hardness :
HRC55 or more
Area to be Induction Hardened (Hatched Area)

* Figure shows CKPL.

W1	W2	C	Catalog No.	W	L
			57		82
30	15		77	60	102
			87		112
			57		82
40	20		77	80	102
			87		112

Order **Catalog No.** **W** - **L**
CKPZ 60 - 82

W1	W2	Catalog No.	W	L
30	15	CKPL	60	85
40	20	CKPLS	80	85

Order **Catalog No.** **W** - **L**
CKPL 80 - 85

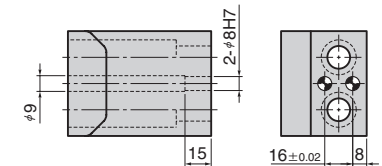


Option

Option Code	Specification
N	Dowel pin holes are drilled on CKPL and CKPLS.

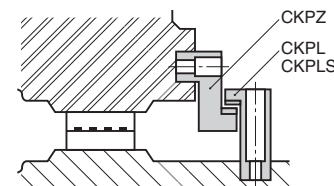
Order CKPL 60 - 85 - N

■ Dowel Pin Hole Specification

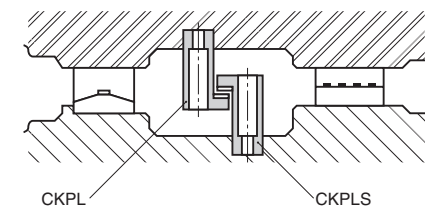


Example

● Mounting outward from Cam Slider



● Mounting inward from Cam Slider (bottom)



* Select the CKPZ and CKPL size according to each height for one Slide Plate or the V Guide Type Cam Slide Guide.

■ We are ready to accept requests or orders for special parts.