

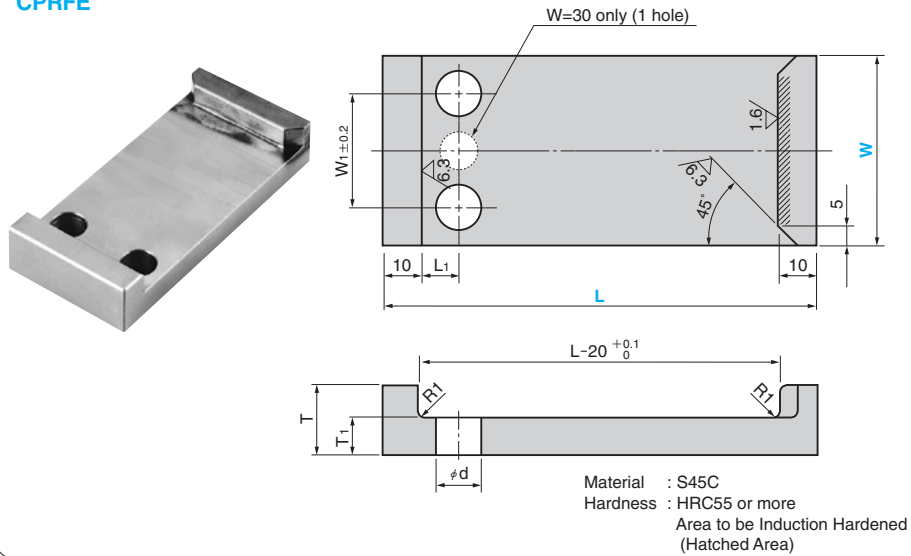
Cam Positive Return Follower

FOR DIVIDED DRIVER (INLAY TYPE)

CAD
FILE

FOR DIVIDED DRIVER (FLAT TYPE)

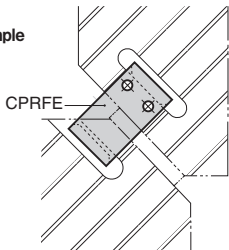
CPRFE



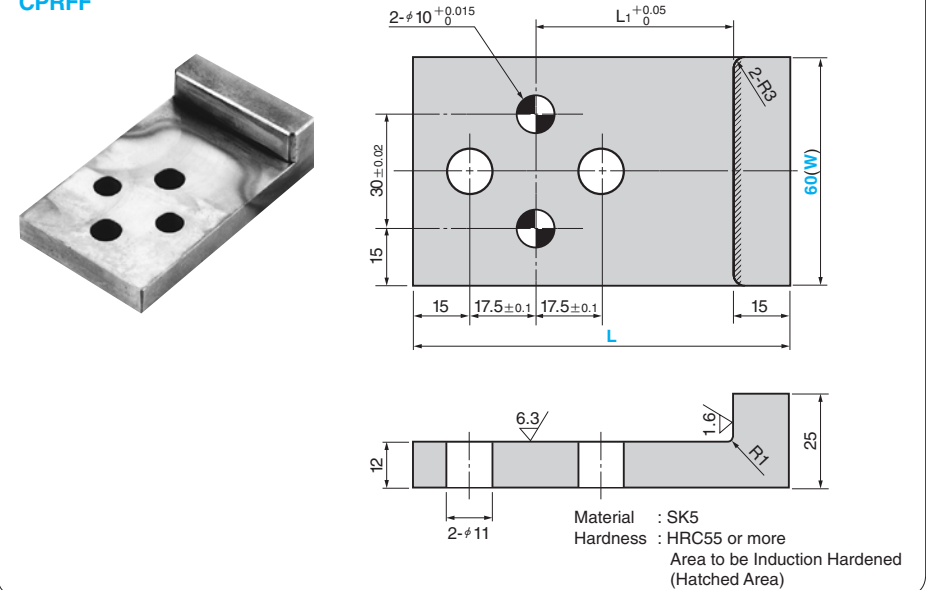
W1	L1	d	T	T1	No. of Bolt Holes	Catalog No.	W	L
—	7.5	10 (For M8)	16	8	1	CPRFE	30	55
							75	
30	10	12 (For M10)	18	10	2		50	85
								105

Order -

EX Example



CPRFF



L1	Catalog No.	(W)	L
52.5	CPRFF	60	100
72.5		60	120

Order -

EX Example

