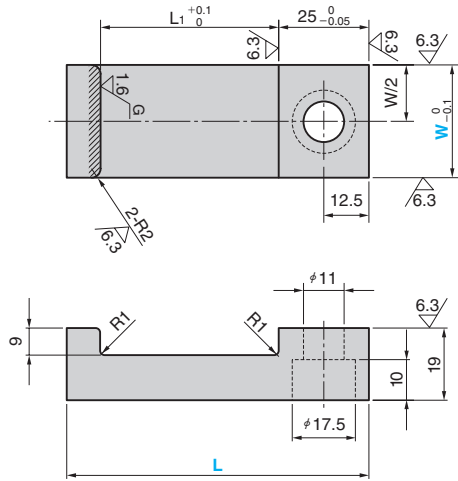


Cam Positive Return Follower

FOR SMALL CAM UNIT

CAD
FILE

CPRFH

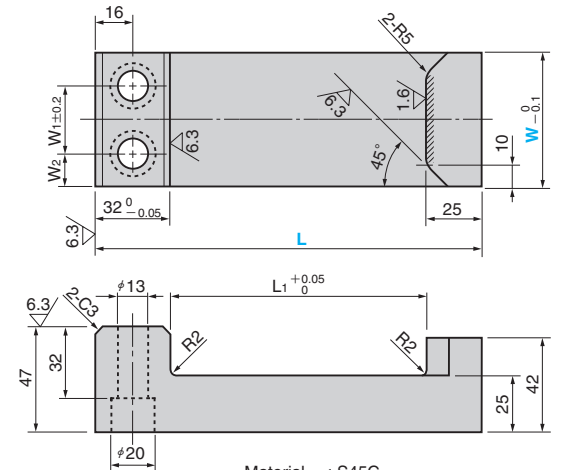
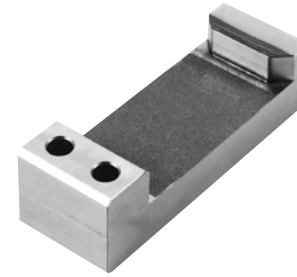


Material : S45C
Hardness : HRC50 to 60
Area to be Induction Hardened
(Hatched Area)

L ₁	Catalog No.	W	L
32.4	CPRFH	30	67.5
42.4		35	77.5

Order -

CPRF



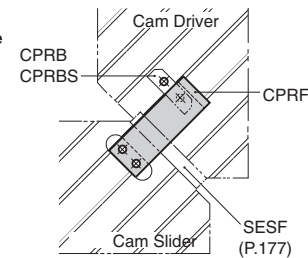
Material : S45C
Hardness : HRC55 or more
Area to be Induction Hardened
(Hatched Area)

L ₁	W ₁	W ₂	Catalog No.	W	L
114	30	15	CPRF	60	171
134					191
114	40	20		80	171
134					191

Order -

EX

Example



■ We are ready to accept requests or orders for special parts.

■ We are ready to accept requests or orders for special parts.