

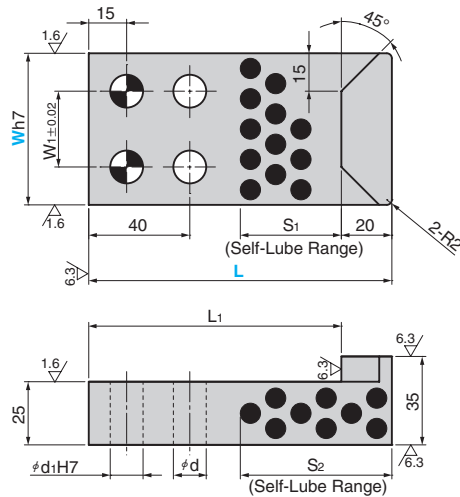
# Cam Pad Guide Plate

TRAVEL END TYPE

NEW

CAD FILE

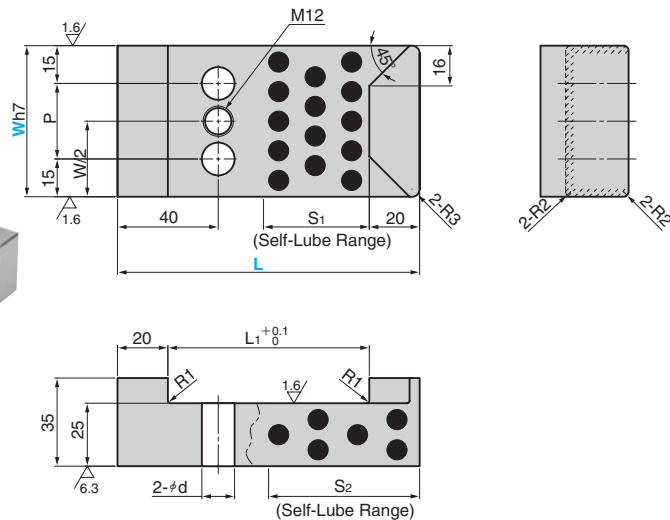
CPGPC



● Sliding Direction

Material : Bronze with Graphite (SO#50 SP2)

CPGPD



● Sliding Direction

Material : Bronze with Graphite (SO#50 SP2)

L1	S1	S2	W1	d	d1	Catalog No.	W h7	L
100	40	60						120
120	60	80	30	13	13		60 <sup>0</sup> <sub>-0.030</sub>	140
140	80	100						160
100	40	60						120
120	60	80	70			CPGPC	100 <sup>0</sup> <sub>-0.035</sub>	140
140	80	100		18	16			160
100	40	60						120
120	60	80	120				150 <sup>0</sup> <sub>-0.040</sub>	140
140	80	100						160



Order **Catalog No.** **W** - **L** CPGPC150 is made to order.  
CPGPC 60 - 120

L1	S1	S2	P	d	Bolt in use	Catalog No.	W h7	L
80	40	60						120
100	60	80	30	13	M12×50		60 <sup>0</sup> <sub>-0.030</sub>	140
120	80	100						160
80	40	60				CPGPD		120
100	60	80	70	18	M16×55		100 <sup>0</sup> <sub>-0.035</sub>	140
120	80	100						160



Order **Catalog No.** **W** - **L**  
CPGPD 60 - 120



Example

