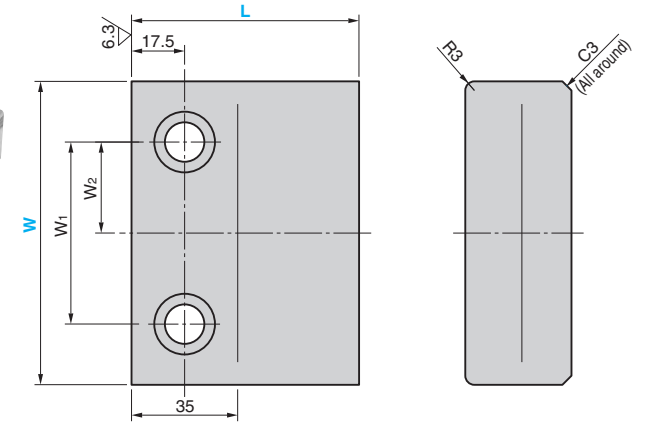
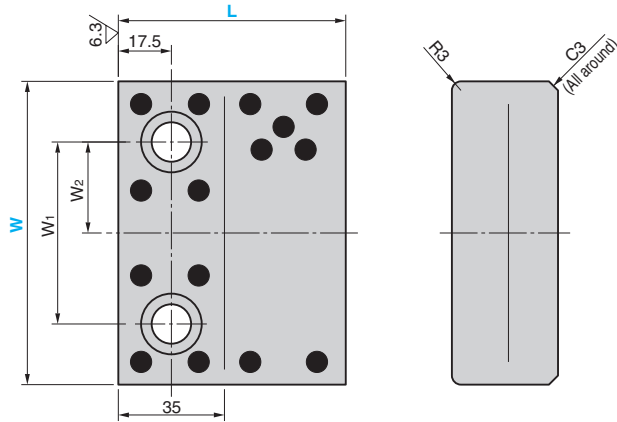
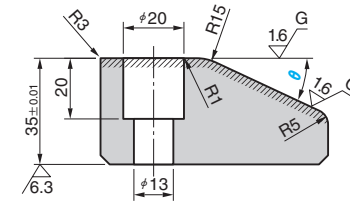
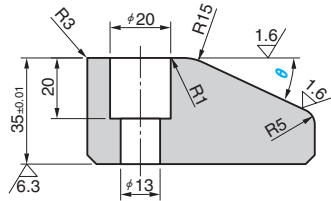


CSPWL(Bronze with Graphite Type)

CSPSL(Steel Type)



● Sliding Direction
↔



Material : Bronze with Graphite (SO#50 SP2)

Material : SK5
Area to be Induction Hardened (Hatched Area)
Hardness : HRC58~62

W ₁	W ₂	Mounting Bolt		Catalog No.	W	L	θ
		Size	Quantity				
60	—	M12×40	2	CSPWL	100	75	25
110	—			CSPSL	150		30

Order **Catalog No.** **W** **L** **θ**
CSPWL 100 - 75 - 25

EX Example

