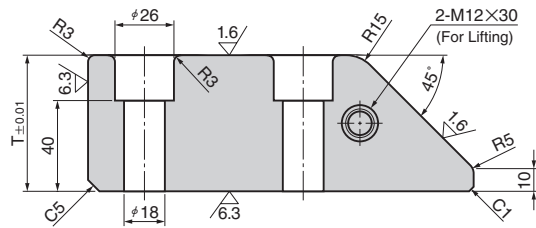
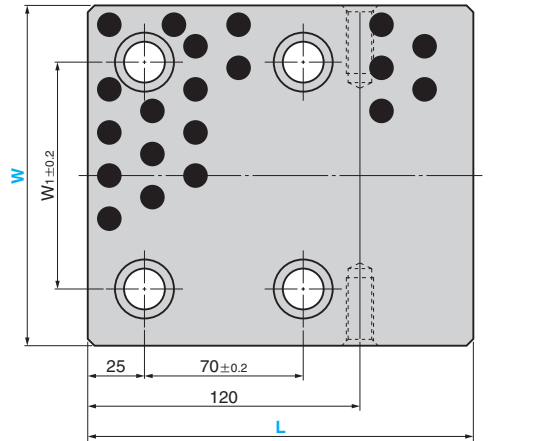
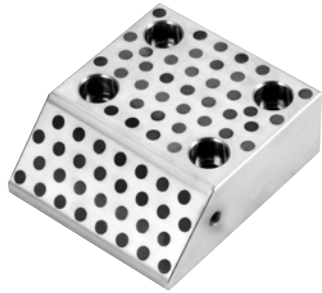


CSPQ
(Bronze with Graphite Type)

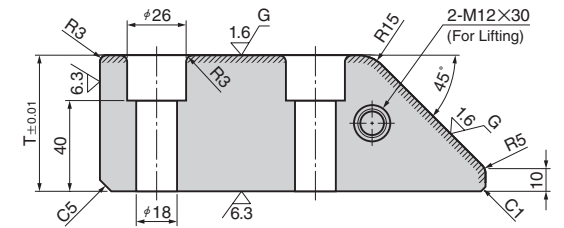
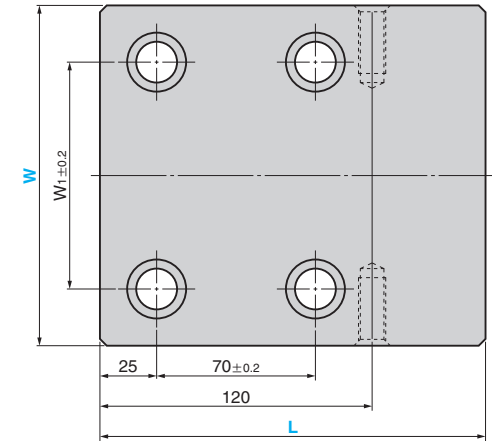


● Sliding Direction



Material : Bronze with Graphite
(SO#50 SP2)

CSPQS
(Steel Type)



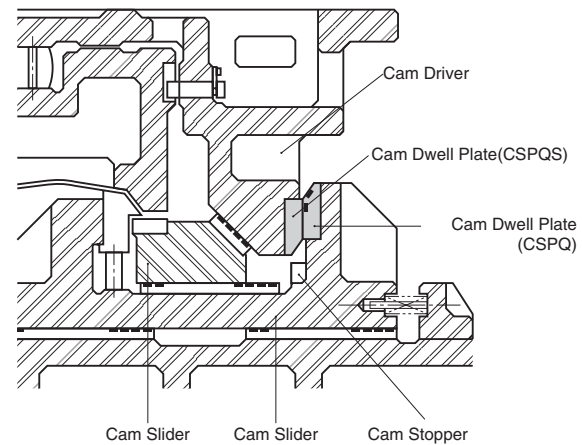
Material : S45C
Hardness : HRC55 or more
Area to be Induction Hardened
(Hatched Area)

T	W ₁	Catalog No.	W	L
60	100	CSPQ	150	170
90				200
60	140	CSPQS	200	170
90				200

Order -
 -

⚠ W = 200 is made to order.

EX Example



■ We are ready to accept requests or orders for special parts.