

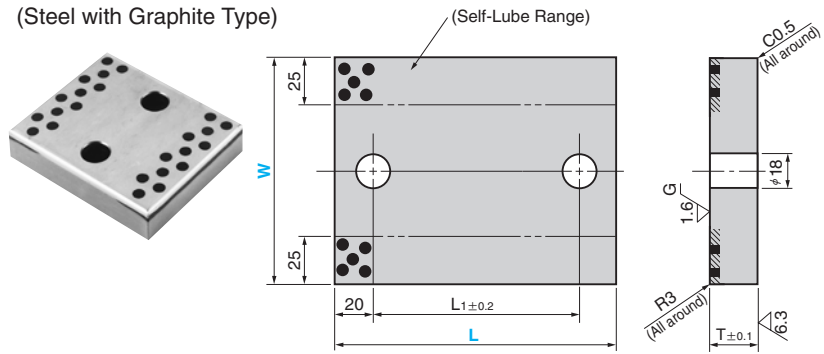


# Cam Center Gib/Cam Center Block

FOR CAM SLIDER

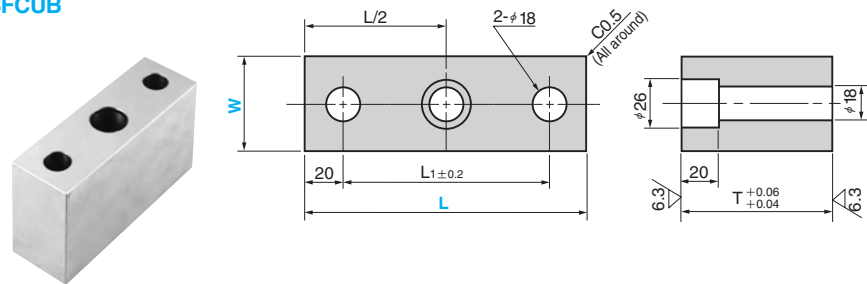
CAD FILE

**SFCU**  
(Steel with Graphite Type)



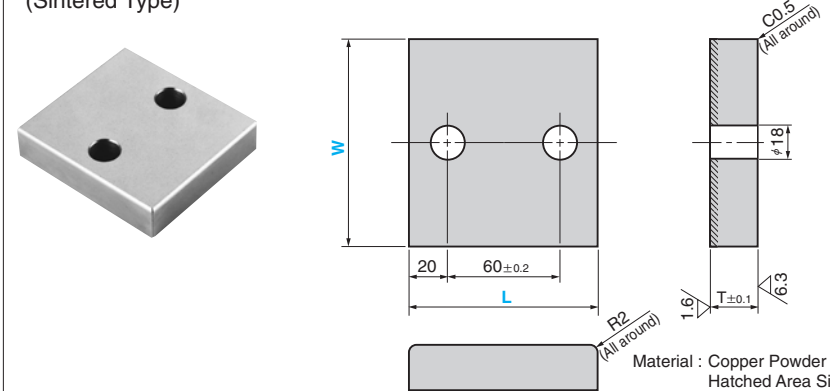
Material : S45C with Graphite  
Hardness: HRC40 or more  
Area to be Induction Hardened (Hatched Area)

**SFCUB**



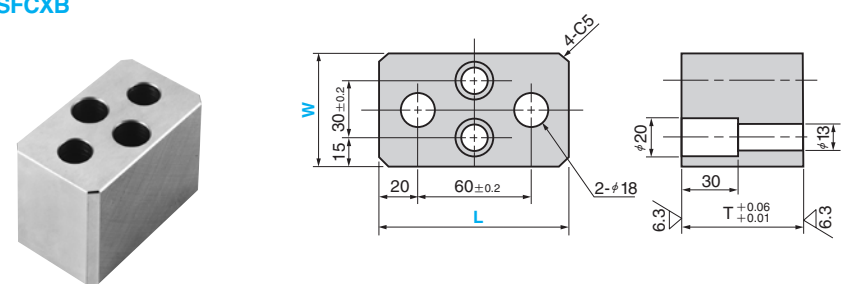
Material : SS400

**SFCX**  
(Sintered Type)



Material : Copper Powder Sintered  
Hatched Area Sintered  
Thickness: 1.2 mm or more  
SS400(base plate)

**SFCXB**



Material : SS400

T	L1	Catalog No.	W	L
25	60	SFCU	120	100
	110			150
80	60	SFCUB	50	100
	110			150

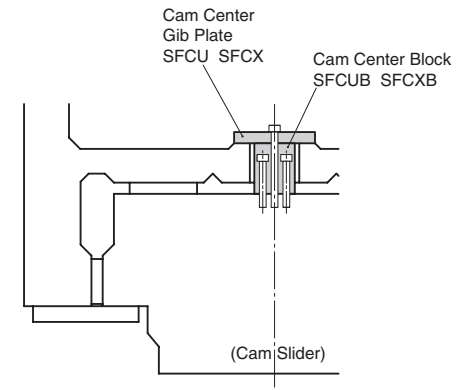
Order

Catalog No.	W	L
SFCU	120	100

T	Catalog No.	W	L
25	SFCX	110	100
65	SFCXB	60	100

Order

Catalog No.	W	L
SFCX	110	100



■ We are ready to accept requests or orders for special parts.