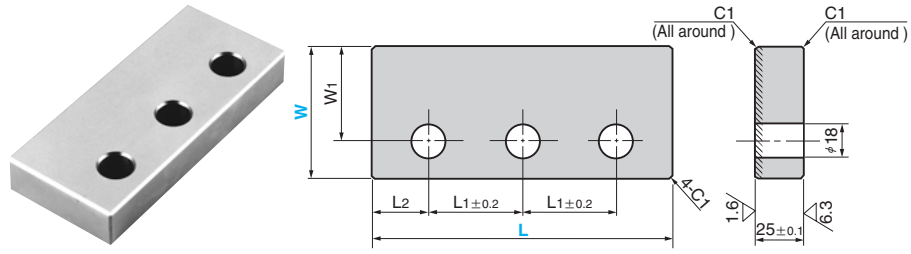


SOPX



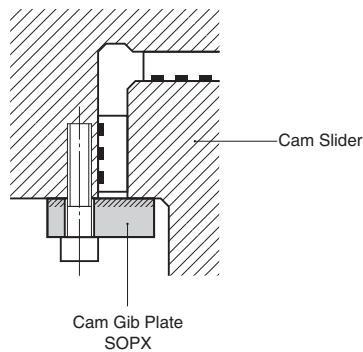
● Sliding Direction
↔

Material : Copper Powder Sintered
Hatched Area Sintered
Thickness 1.2 mm or more
SS400(base plate)

W ₁	L ₁	L ₂	Catalog No.	W	L
	50				160
50	70	30	SOPX	70	200
	85	35			240

Order -

EX Example



■ We are ready to accept requests or orders for special parts.