

# Slide Plate

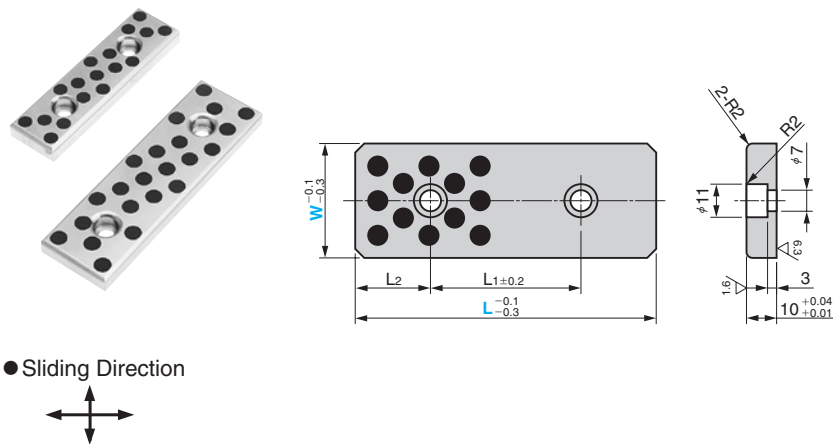
Thickness 10 mm

BRONZE TYPE

# Slide Plate

BLANK TYPE

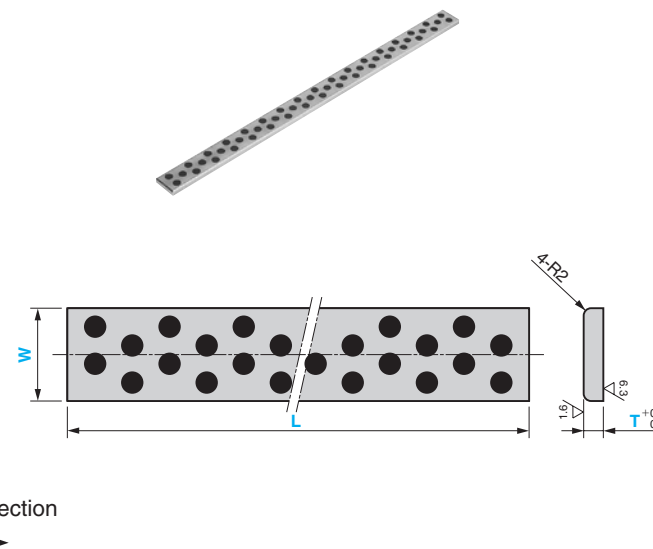
SOML



Bolt  
M6×15

Material : Bronze with Graphite  
(SO#50 SP2)

FPLB



Material : Bronze with Graphite  
(SO#50 SP2)

L1	L2	Catalog No.	W	L
45	15			75
50			18	100
75	25			125
100				150
45	15			75
50			28	100
75	25			125
100		SOML		150
45	15			75
50			38	100
75	25			125
100				150
45	15			75
50			48	100
75	25			125
100				150

Order **Catalog No.** **W** - **L**  
SOML 28 - 100

■ We are ready to accept requests or orders for special parts.

(Actual Size) T	Recommended Bolt	Catalog No.	W	L	T (Nominal)
5.3	M6×10 Countersunk head screw	FPLB	20	305	5
			25		
			30		
10.3	M8×15 Hexagonal socket head round screw	FPLB	35	605	10
			40		
			50		
15.3	M10×20 Hexagon Socket Bolt		60		15

■ For Operation  
• Cut or drill the plate as required.  
• Please use after machining bolt holes

Order **Catalog No.** **W** - **L** - **T**  
FPLB 25 - 305 - 5

▲ The catalog number was changed for our convenience. The specifications are the same.

Old catalog No.	New catalog No.
SP	FPLB

■ We are ready to accept requests or orders for special parts.