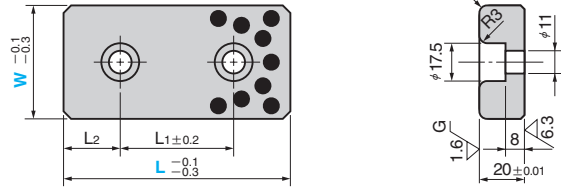
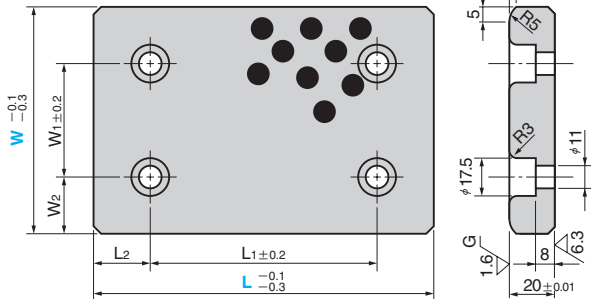


SESW (Bronze Standard Type)

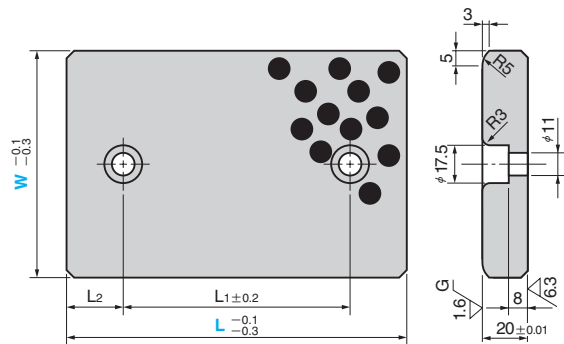
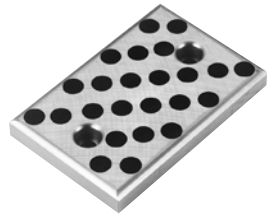
● W = 28 to 75



● W = 100 or more



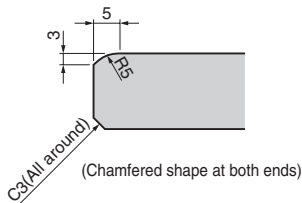
SESWT
(Bronze 2-Hole Type)



● Sliding Direction
W = 28 and 38



W = 48 or more



Material : Bronze with Graphite
(SO#50 SP2)

| W ₁ | W ₂ | L ₁ | L ₂ | Catalog No. | W | L | |
|----------------|----------------|----------------|----------------|-------------|-----|------|-------|
| | | | | | | SESW | SESWT |
| | | 45 | 15 | | | 75 | |
| | | 50 | 25 | | 28 | 100 | |
| | | 100 | | | | 150 | |
| | | 45 | 15 | | | 75 | |
| | | 50 | 25 | | 38 | 100 | |
| | | 100 | | | | 150 | |
| | | 45 | 15 | | | 75 | |
| | | 50 | | | | 100 | |
| | | 75 | 25 | SESW | 48 | 125 | |
| | | 100 | | | | 150 | |
| | | 150 | | | | 200 | |
| | | 45 | 15 | | | 75 | |
| | | 50 | | | 58 | 100 | |
| | | 100 | | | | 150 | |
| | | 25 | | | | 75 | |
| | | 50 | | | | 100 | |
| | | 75 | | | | 125 | |
| | | 100 | 25 | | 75 | 150 | |
| | | 150 | | | | 200 | |
| | | 50 | | | | 100 | 100 |
| | | 75 | | | | 125 | 125 |
| | 25 | 100 | | | 100 | 150 | 150 |
| | | 150 | | | | 200 | 200 |
| | | 200 | | | | 250 | 250 |
| 50 | | 200 | 50 | | | 300 | 300 |
| | | 75 | | SESW | | 125 | 125 |
| | | 100 | | SESWT | | 150 | 150 |
| | 37.5 | 150 | 25 | | 125 | 200 | 200 |
| | | 200 | | | | 250 | 250 |
| | | 200 | 50 | | | 300 | 300 |
| | | | 75 | | | 350 | 350 |
| | | 100 | | | | 150 | 150 |
| 100 | 25 | 150 | 25 | | 150 | 200 | 200 |
| | | 200 | | | | 250 | 250 |

* W₁ and W₂ are the dimensions only for SESF (W = 100 or more).



Order

| Catalog No. | W | - | L |
|-------------|-----|---|-----|
| SESW | 38 | - | 100 |
| SESWT | 100 | - | 150 |

■ We are ready to accept requests or orders for special parts.