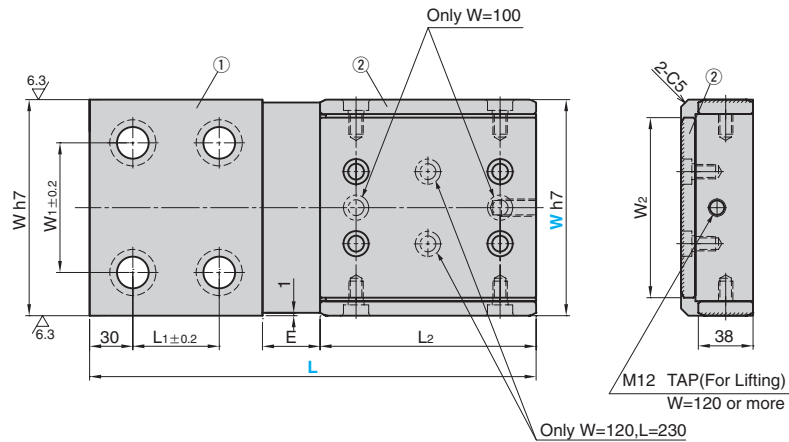
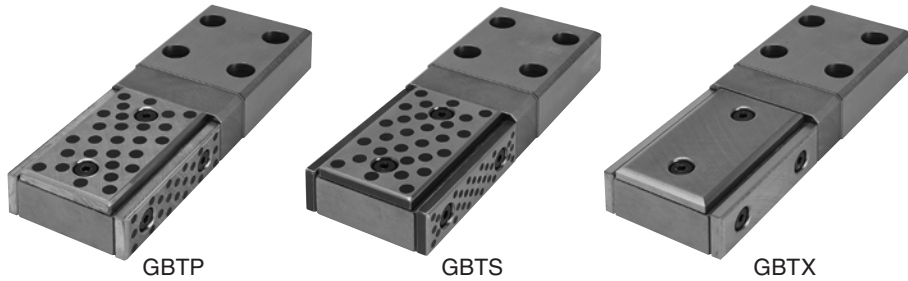


Guide Bar

WEAR PLATE TYPE

NEW CAD FILE

GBTP (Bronze Plate Type)
GBTS (SKS3 Plate Type)
GBTX (Sintered Plate Type)



● Sliding Direction



Material
 ① Guide bar body SS400
 ② GTP Bronze with graphite (SP2) (TWP)
 GTS SKS3 Bronze with graphite (TSP)
 GPTX Copper powder sintered (#220) (TWX)

W h7	W ₁	W ₂	L ₁	L ₂	T	E	② Mounting Bolt Quantity	Catalog No.	W	L
100		75	60	75	45	35	6		100	230
			100	125		45				280
			120	150		60				330
120	60	100	60	75	50	35	8	GBTP GBTS GBTX	120	230
			100	125		45				280
			120	150		60				330
150	90	125	60	125	50	35	8		150	280
			100	150		45				330
			120	180		60				390
			140	150		80				430



Order

Catalog No.	W	—	L
GBTP	100	—	280
GBTS	120	—	390
GBTX	150	—	330