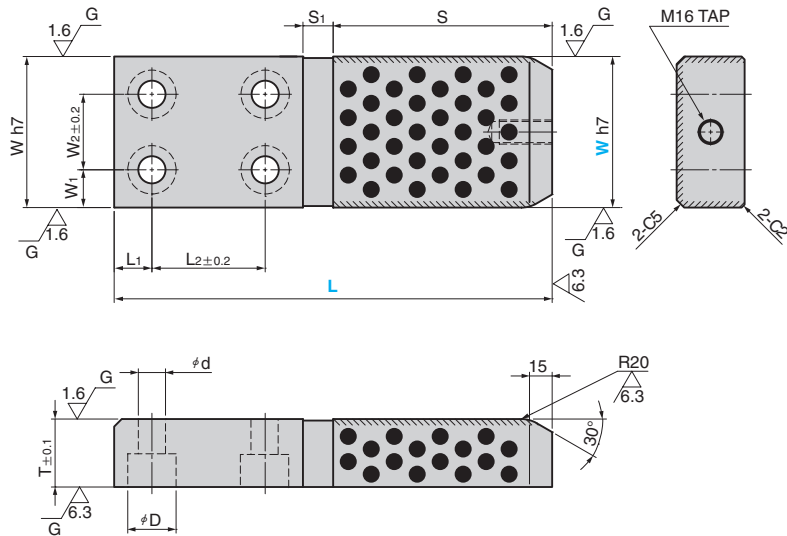


GBSZ



● Sliding Direction



Material : S45C
with Graphite
Hardness : HRC 40 or more

W h7	W ₁	W ₂	L ₁	L ₂	S	S ₁	D	d	T	Catalog No.	W	L	
100	0 -0.035	25	50	25	75	115	32	18	45		100	260	
						145						20	290
						175							320
125	0 -0.040	30	65	30	100	145	39	22		GBSZ	125	330	
						175						25	360
						205							390
150	0 -0.040	90	125	125	205	30			55		150	420	
						205							420
						235							450



Order

Catalog No.	W	-	L
GBSZ	125	-	360