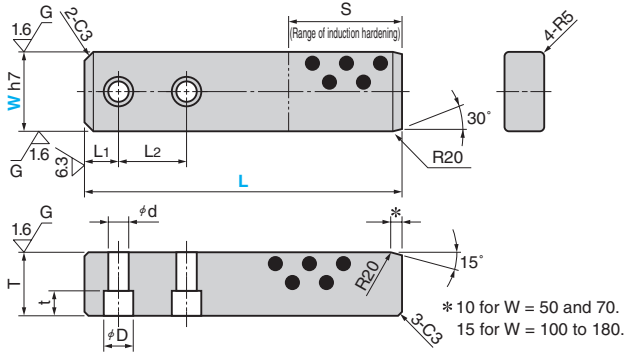
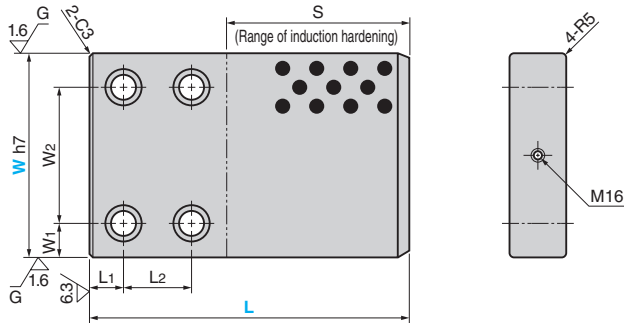


NGBZ

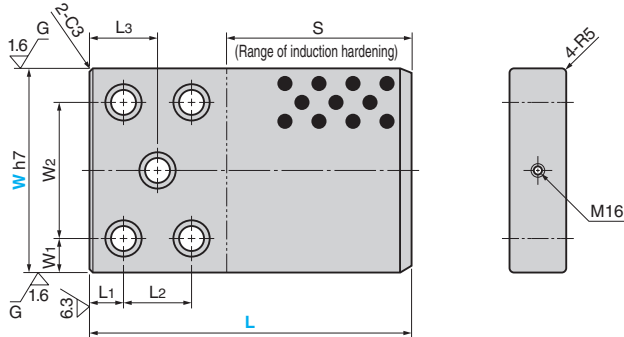
● W = 50 and 70



● W = 100, 120, 150



● W = 180



● Sliding Direction



Material : S45C
with Graphite
Hardness : HRC 40 or more

W	h7	L1	L2	L3	W1	W2	D	d	t	S	T	Catalog No.	W	L
50	0 -0.025	20	50							60	30		50	160
			80					120	200					
70	0 -0.030	25	60				26	18	18	100	35		70	260
			75					160	300					
			150					150	350					
100	0 -0.035	30	60							100	45		100	230
			100	20				160	280					
			120					200	390					
120	0 -0.035	30	60							100	45	NGBZ	120	230
			100					160	280					
			120					200	390					
150	0 -0.040	30	60							160	50		150	280
			80					190	330					
			140	30	90			190	390					
			180					430						
180	0 -0.040	30	60	60						160	55		180	280
			80	70				190	330					
			140	100				190	390					
			180	120	120			200	430					
			200	130						200				480
			225	142.5				250	550					



Order

Catalog No. **NGBZ** W **50** - L **160**