

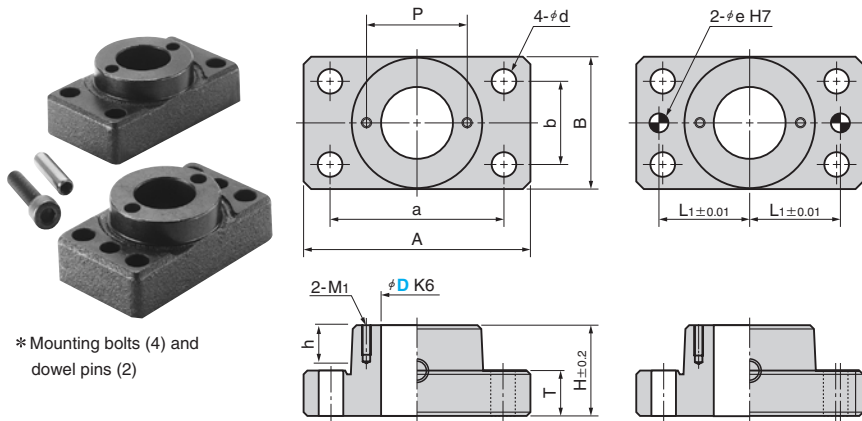
Guide Holder

FOR HOLDER TYPE GUIDE POST SET

CAD FILE

GPH

GPHN (With Dowel Pin Hole)



* Mounting bolts (4) and dowel pins (2)

⚠ The size of 2-M1 tapped hole is $\phi 38$ or more.

Material : FC250

D	K6	A	a	B	b	T	H	P	M1	h	d	L1	e	H7	Accessories	
															Bolt	Dowel pin
25	$^{+0.002}_{-0.011}$	84	66	48	30	20	30	-	-	-	9	33	8		M8×35	$\phi 8 \times 30$
32		100	76	58	36		40					11	38		$^{+0.015}_0$	
38	$^{+0.003}_{-0.013}$	130	100	75	44	25	50	60	M5	15	14	50	10		M10×45	$\phi 10 \times 40$
50		155	125	90	60		65	72	M6			14	62.5	13		
60	$^{+0.004}_{-0.015}$	190	150	120	80	35	30	75	M8	20	18	75	13	$^{+0.018}_0$	M16×60	$\phi 13 \times 50$
80		230	180	150	110		100	116					22	95	16	

Catalog No.	D
	25
	32
GPH	38
GPHN	50
	60
	80



Option

Option Code	Specification
M	Tapped hole for the height block is drilled on the guide holder. ($\phi 25, 32$ only)



Order GPH 25 - M



Order

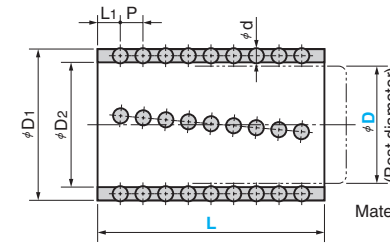
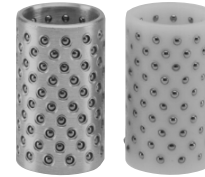
Catalog No.	D
GPH	50

Ball Slider·Spring

FOR HOLDER TYPE GUIDE POST SET

Ball Slider

BSA (Aluminum)
BSJ (Resin)



Material : BSA A5052S
BSJ POM
(Polyacetal)

Catalog No.	D	L	D1	D2	d	P	L1
	25	50	30.5	25.5	3	5.5	5.75
BSA	32	60	39.5	32.5	4	6.5	7.25
BSJ	38	70	47.5	38.5			7.0
	50	90	59.5	50.5	5	8.0	5.0
	60	100	69.5	60.5			6.0

*The standard in the left table indicates only the ball sliders used for the holder type guide post set. See page 151 for the standard other than the left table.

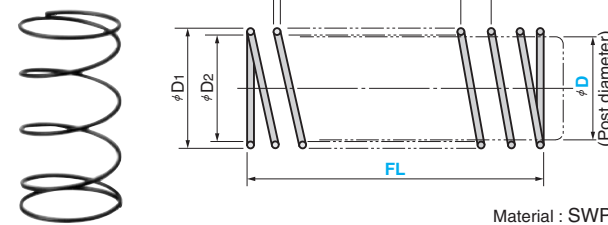


Order

Catalog No.	D	L
BSA	38	70

Spring

RSS



Material : SWP2

D	D1	D2	d	P
25	27.9	25.5	1.2	14
32	35.7	32.5	1.6	16
38	42.5	38.5	2.0	18
50	55.7	50.5	2.6	20
60	66.9	60.5	3.2	

*spring adhesion length (Lm)

$$Lm = \frac{\text{Free length} \times \text{Wire dia}}{\text{Pitch}} + 2 \times \text{Wire dia}$$

Catalog No.	D	FL (Free length)															
	25	40	50	70	80	100	110	120	140	150	160	180					
	32	50 60 70 90				110	120	130	140	170	190	210	230				
RSS	38	60 70 80 90			110	120	150	170	190	210	230						
	50	70 90 110 140 170 190 230						280									
	60	90 130 150 180 230 250															
Applicable guide post length		90	100	110	120	130	140	150	160	170	180	200	220	240	260	300	350



Order

Catalog No.	D	FL
RSS	32	110