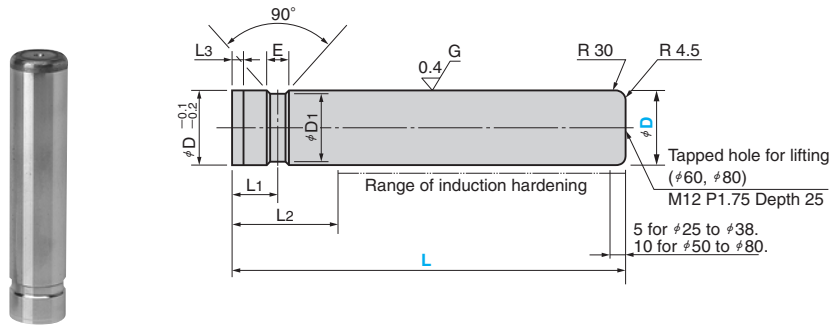


Guide Post

FOR HOLDER TYPE GUIDE POST SET

CAD
FILE

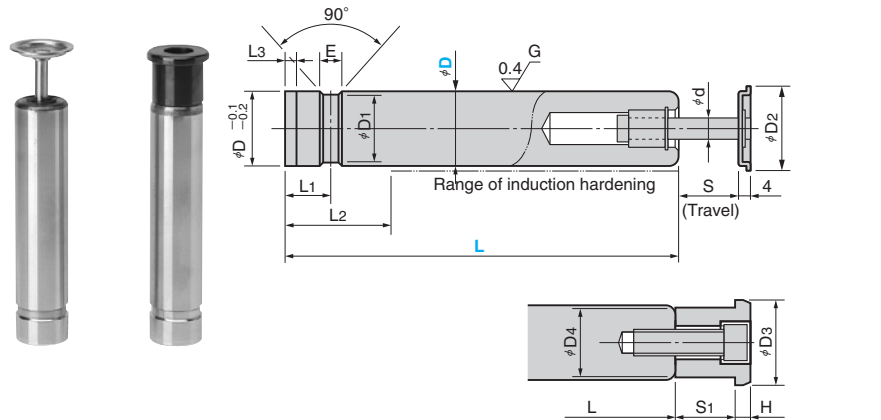
NGP (For Plain and Oilless Type) $\phi 25 \sim \phi 80$



Material : S45C
Hardness : HRC55 or more

BGPM (Movable Stopper Type) $\phi 25 \sim \phi 50$

BGPF (Fixed Stopper Type) $\phi 25 \sim \phi 60$



Material : SUJ2
Hardness : HRC58 or more

D Tolerance	D ₁	L ₁	L ₂	L ₃	E	D ₂	d	S	D ₃	D ₄	S ₁	H	
25	+0.024 +0.015	22	15	35	4	29	8	0~20	29	24	20	5	
32		29	20	45		8	37		0~25	37	31		25
38	+0.028 +0.017	35	25	55			44	10	0~30	44	37		30
50		46	32.5	70	5	56		0~40	56	49	40	10	
60	+0.033 +0.020	56	37.5	80	6	12			66	59	50	15	
80		76	50	110	8								

Catalog No.	D	L													
	25	80	90	100	110	120	130	140	150	160	170	180	200		
	32	100	110	120	130	140	150	160	170	180	200	220	250		
NGP	38	100	110	120	130	140	150	160	170	180	200	220	250	280	300
	50	160	170	180	200	220	250	280	300	350					
	60	180	200	220	250	280	300	350	400						
	80	250	280	300	350	400	450								

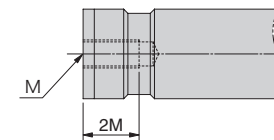
Catalog No.	D	L												
	25	90	100	110	120	130	140	150	160	170	180	200		
BGPM	32	110	120	130	140	150	160	170	180	200	220	240	250	260
BGPF	38	130	140	150	160	170	180	200	220	240	250	260	280	300
	50	170	180	200	220	240	250	260	280	300	350			
BGPF	60	200	220	240	250	260	280	300	350					

Order	Catalog No.	D	-	L
	NGP	38	-	160
	BGPM	50	-	250

Option	Option Code	Specification
	MP	Tapped Hole for Securing. (see the drawing below).

Order	NGP 38 - 160 - MP
-------	-------------------

• Specification MP



D	M
25	8
32·38	10
50·60	12
80	16