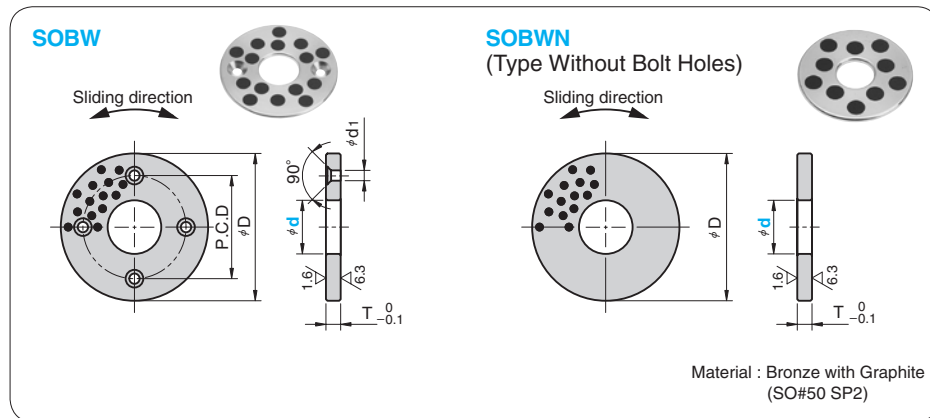


Order

Catalog No. **SOB** **d** 120 - **D** 140 - **L** 100

d F7	D m6	R	g	Applicable washer	Catalog No.	d	D	L
		2	2					40
								50
								60
								70
100	120		+0.035 +0.013	SOBW100		100	120	80
								90
								100
								120
								140
								50
110	130			—		110	130	70
								80
								100
								120
								70
		3						80
120	140	3		SOBW120	SOB	120	140	90
								100
								120
								140
								100
125	145		+0.040 +0.015			125	145	120
								80
130	150					130	150	100
								130
140	160			—		140	160	100
								140
150	170					150	170	80
		4						100
								150
160	180	3				160	180	80
								100
								150



Order

Catalog No. **SOBW** **d(nominal)** 10

d(Actual size)	D	T	Bolt mounting hole			Catalog No.	d(nominal)
			P.C.D	Quantity	Flat head screw		
10.2	30		20				10
12.2							12
13.2	40		28				13
14.2		3			M3	3.5	14
15.2							15
16.2							16
18.2	50		35	2			18
20.2							20
25.2	55		40				25
30.2	60	5	45		M5	6	30
35.2	70		50				35
40.2	80		60				40
45.3	90	7	67.5		M6	7	45
50.3	100		75				50
55.3	110		85				55
60.3	120	8	90				60
65.3	125		95				65
70.3	130		100	4	M8	9	70
75.3	140		110				75
80.3	150	10	120				80
90.5	170		140				90
100.5	190		160		M10	11	100
120.5	200		175				120

■ Type without Bolt hole

d(Actual size)	D	T	Catalog No.	d(nominal)
10.2	30			10
12.2	40	3		12
16.2	50		SOBWN	16
20.2				20
25.2	55	5		25



Order

Catalog No. **SOBWN** **d(nominal)** 10