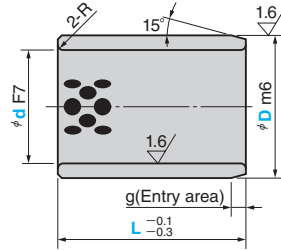


SOB



- Mating post tolerance
d8: General use (high load)
e7: General use (light load)
f7: High precision
- Recommended hole machining tolerance H7

● Sliding Direction



Material : Bronze with Graphite (SO#50 SP2)

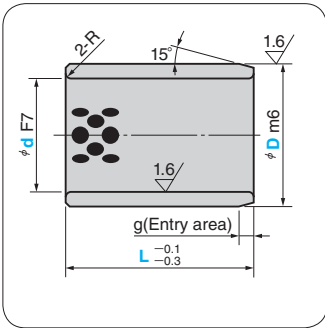


Order

Catalog No. SOB
d 19 - D 26 - L 20

d F7	D m6	R	g	Applicable washer	Catalog No.	d	D	L
8	12	0.5	1	-	SOB	8	12	8
								10
								12
10	14	0.5	1	SOB	SOB	10	14	8
								10
								12
12	18	0.5	1	SOB	SOB	12	18	8
								10
								12
13	19	0.5	2	SOB	SOB	13	19	15
								12
								15
14	20	0.5	1	SOB	SOB	14	20	10
								12
								15

d F7	D m6	R	g	Applicable washer	Catalog No.	d	D	L
15	21	0.5	1	SOB	SOB	15	21	10
								12
								15
16	22	0.5	1	SOB	SOB	16	22	10
								12
								15
17	23	0.5	1	SOB	SOB	17	23	10
								12
								15
18	24	0.021 +0.008	1	SOB	SOB	18	24	16
								20
								25
19	26	0.5	1	SOB	SOB	19	26	15
								20
								25
20	28	0.5	2	SOB	SOB	20	28	15
								16
								19
22	32	0.5	2	SOB	SOB	22	32	15
								20
								25
25	33	0.025 +0.009	1	SOB	SOB	25	33	12
								15
								16



Order

Catalog No. SOB d - D - L
 SOB 50 - 65 - 80

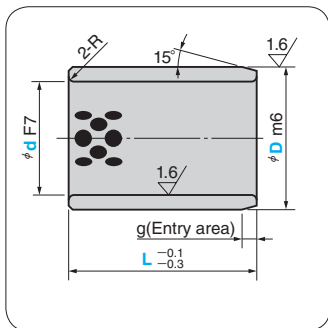
d F7	D m6	R	g	Applicable washer	Catalog No.	d	D	L
50	60	2	2	SOBW50	SOB	50	60	35
								40
		3	3					50
								60
		2	2					70
								80
	62	2	2	SOBW50				30
								35
		3	3					40
								50
		2	2					60
								70
65	2	2	SOBW50	80				
				30				
	3	3		40				
				50				
	2	2		60				
				70				
55	70	2	2	SOBW55	SOB	55	70	80
								100
		3	3					30
								35
		2	2					40
								50
	74	2	2	SOBW55				60
								70
		3	3					80
								100
		2	2					30
								35
60	74	2	2	SOBW60	SOB	60	74	40
								50
		3	3					60
								70
		2	2					80
								100
	75	2	2	SOBW60				30
								35
		3	3					40
								50
		2	2					60
								70

d F7	D m6	R	g	Applicable washer	Catalog No.	d	D	L
63	75	3	3	SOBW65	SOB	63	75	60
								70
		2	2					80
								40
		3	3					50
								60
	80	2	2	SOBW65				70
								80
		3	3					30
								35
		2	2					40
								50
65	85	2	2	SOBW65	SOB	65	80	60
								70
		3	3					80
								30
		2	2					35
								40
	90	2	2	SOBW65				50
								60
		3	3					70
								80
		2	2					80
								100
70	90	3	3	SOBW70	SOB	70	85	70
								80
		2	2					90
								100
		3	3					50
								60
	85	2	2	SOBW70				70
								80
		3	3					90
								100
		2	2					30
								35
75	95	3	3	SOBW75	SOB	75	90	70
								80
		2	2					90
								100
		3	3					50
								60
	96	2	2	SOBW75				70
								80
		3	3					90
								100
		2	2					30
								35
55	100	1	2	SOBW75	SOB	55	100	20
								2
		3	3					50
								60
		2	2					70
								80
	80	2	2	SOBW75				96
								3
		3	3					70
								80
		2	2					100
								120
60	100	2	2	SOBW80	SOB	60	100	40
								50
		3	3					60
								70
		2	2					80
								100
	85	2	2	SOBW80				80
								3
		3	3					50
								60
		2	2					70
								80
90	110	2	2	SOBW80	SOB	90	110	25
								30
		3	3					40
								50
		2	2					60
								70
	110	2	2	SOBW90				85
								3
		3	3					80
								90
		2	2					100
								120

Guide Bushing

UNIVERSAL STRAIGHT TYPE

CAD FILE



Order

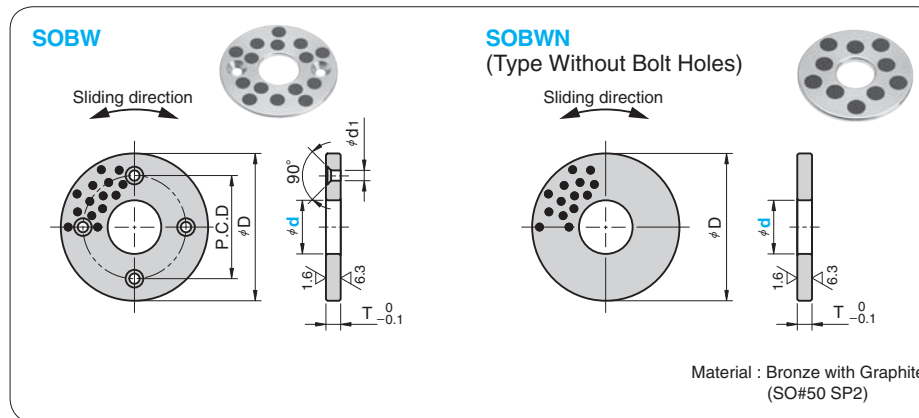
Catalog No. **SOB** **d** 120 - **D** 140 - **L** 100

d F7	D m6	R	g	Applicable washer	Catalog No.	d	D	L
		2	2					40
								50
								60
								70
100	120			SOBW100		100	120	80
								90
								100
								120
								140
								50
110	130			—		110	130	70
								80
								100
								120
								70
								80
120	140	3	3	SOBW120	SOB	120	140	90
								100
								120
								140
								100
125	145					125	145	120
								80
130	150					130	150	100
								130
140	160			—		140	160	100
								140
150	170					150	170	80
								100
		4						150
160	180		3			160	180	80
								100
								150

Washer

WASHER

CAD FILE



Order

Catalog No. **SOBW** **d(nominal)** 10

d(Actual size)	D	T	Bolt mounting hole			Catalog No.	d(nominal)
			P.C.D	Quantity	Flat head screw		
10.2	30		20				10
12.2							12
13.2	40		28				13
14.2		3			M3	3.5	14
15.2							15
16.2							16
18.2	50		35	2			18
20.2							20
25.2	55		40				25
30.2	60	5	45		M5	6	30
35.2	70		50				35
40.2	80		60				40
45.3	90	7	67.5		M6	7	45
50.3	100		75				50
55.3	110		85				55
60.3	120	8	90				60
65.3	125		95				65
70.3	130		100	4	M8	9	70
75.3	140		110				75
80.3	150	10	120				80
90.5	170		140				90
100.5	190		160		M10	11	100
120.5	200		175				120

■ Type without Bolt hole

d(Actual size)	D	T	Catalog No.	d(nominal)
10.2	30			10
12.2	40	3		12
16.2	50		SOBWN	16
20.2				20
25.2	55	5		25



Order

Catalog No. **SOBWN** **d(nominal)** 10