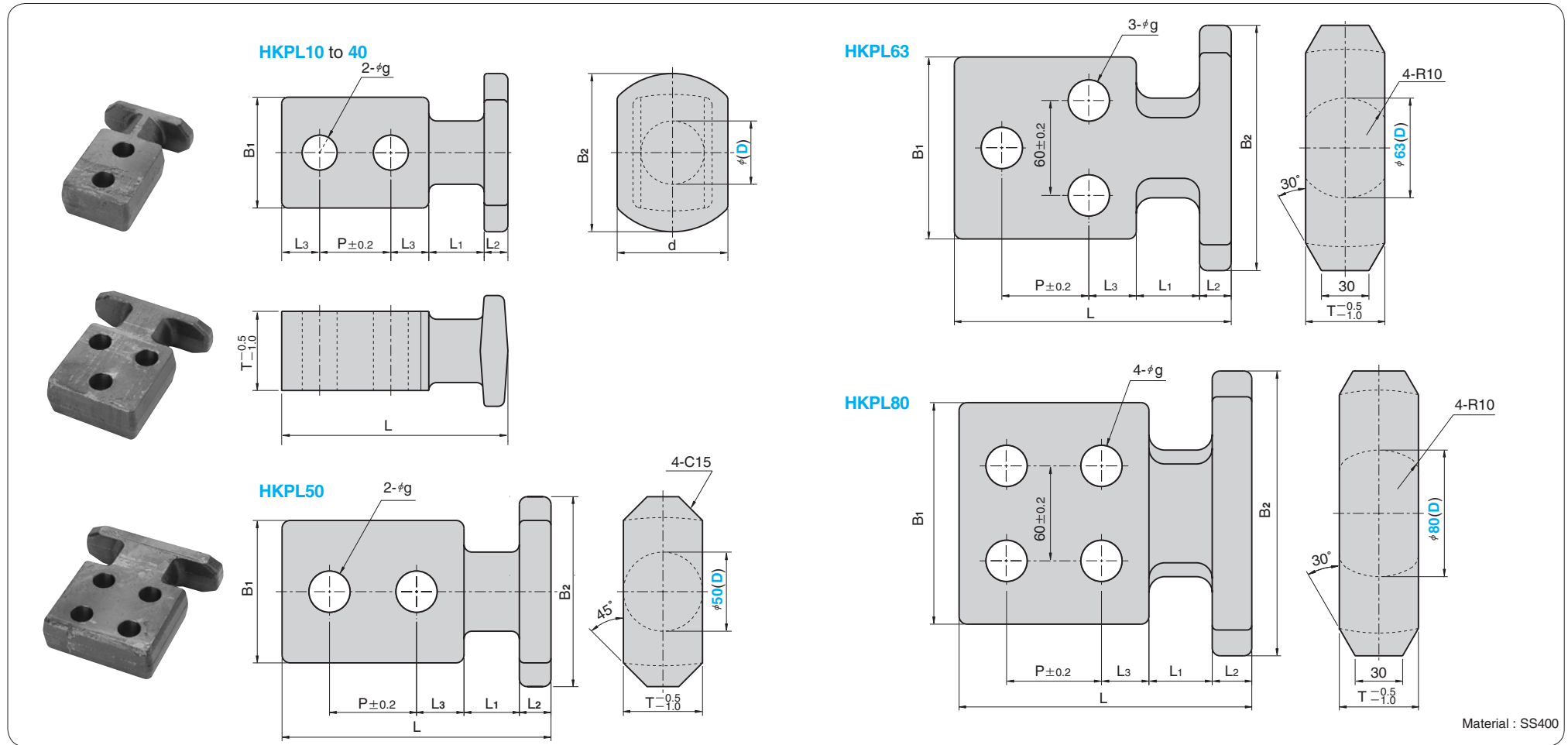


# Lifting Hooks

LARGE HEAD TYPE

CAD FILE



d	B <sub>1</sub>	B <sub>2</sub>	T	L	L <sub>1</sub>	L <sub>2</sub>	L <sub>3</sub>	P	g	Allowable Load N (kgf)/1P	Catalog No.	(D)
28	28	38	18	61			9	8	16	1569( 160)		10
32	32	44	20	67	20		9	10	18	3530( 360)		12
36	36	50	24	78			12	12	22	4511( 460)		16
40	40	56	26	97	25		15	30	14	5492( 560)		20
48	48	68	35	98			13	15	30	6570( 670)	HKPL	25
55	55	77	40	125	30		15	20	40	12160(1240)		32
70	70	100		143	35		20	24	45	19123(1950)		40
	90	120	50	170			20	30	55	27459(2800)		50
-	115	155		175	40		30	30	55	39227(4000)		63
	140	180		185			25	60	60	50995(5200)		80



Order

Catalog No. (D) - Option  
 HKPL 40 -  
 HKPL 63 - BT



After tightening mounting bolts, weld the circumference of the hook to the die.

## Option - BT

Including following Hexagon Socket Head Bolt.

(D)	Mounting bolt	(D)	Mounting bolt
10	M 6 × 30	32	M16 × 70
12	M 8 × 35	40	M20 × 90
16	M10 × 45	50	M24 × 90
20	M12 × 50	63	M24 × 90
25	M12 × 60	80	M24 × 100