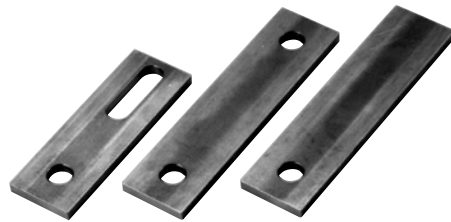


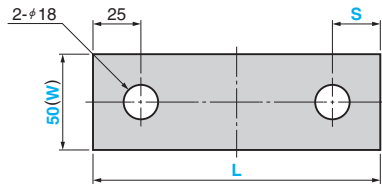
# Die Fixing Plate

FIXING POSITION FREE / DESIGNATED TYPE

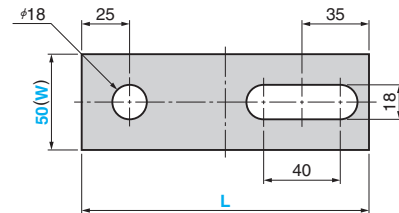
CAD FILE



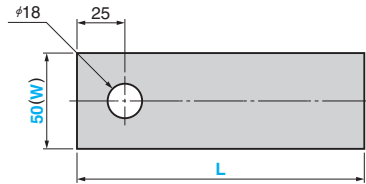
FPRM



FPRN



FPF



\* When the die height cannot be calculated for urethane stock block, this allows adjustment.

Material : SS400

Catalog No.	(W)	L	S Increments of 1 mm	Safety Color
FPRM	50	150 400	S ≥ 15	R (Red)
FPRN		200 500		Y (Yellow)
FPF		250 600		N (None)
		300		

Order  Catalog No.  (W)  -  L  -  S  - Safety Color

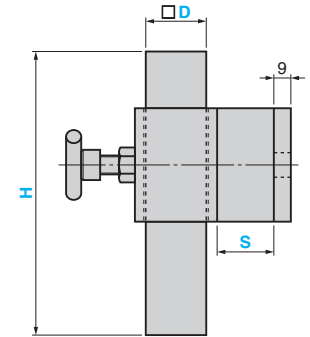
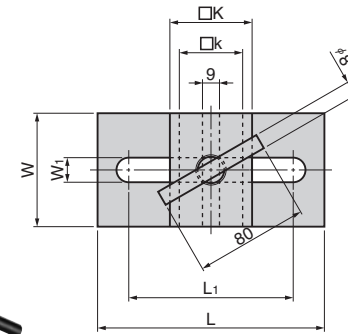
FPRN 50 - 200 - R  
FPRM 50 - 250 - 16 - Y

# Skid Bracket

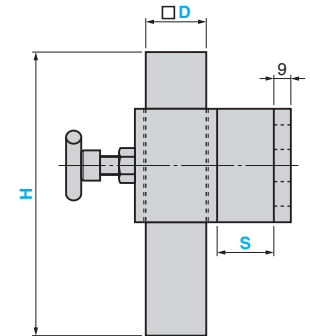
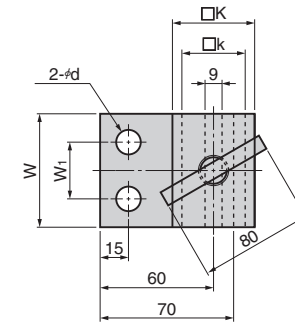
SQUARE POST TYPE

CAD FILE

SKDBA



SKDBB



Material : SS400  
Black oxide

K	k	L	L <sub>1</sub>	W	W <sub>1</sub>	Catalog No.	D	H Increments of 10 mm	S Increments of 10 mm
31.5	21.5	100	80	45	11	SKDBA	20	100~300	0~150
43.5	33.5	120	100	60	13		32		

K	k	W	W <sub>1</sub>	d	Catalog No.	D	H Increments of 10 mm	S Increments of 10 mm
31.5	21.5	45	25	11	SKDBB	20	100~300	0~150
43.5	33.5	60	30	13		32		

Order  Catalog No.  D  -  H  -  S

SKDBA 20 - 200 - 60

Die Setting Components